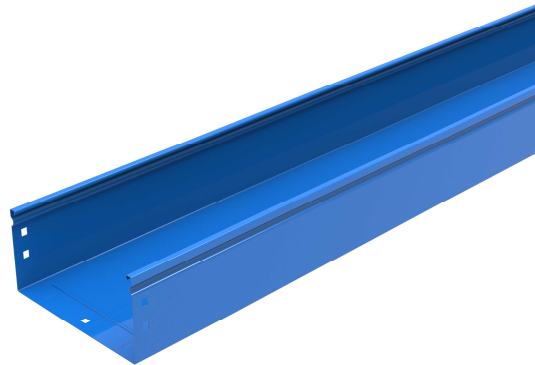
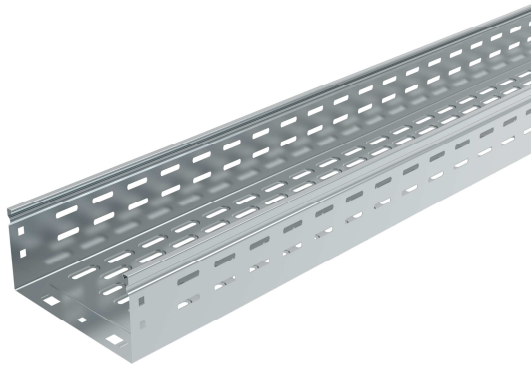


P31 – CABLE TRAYS H100



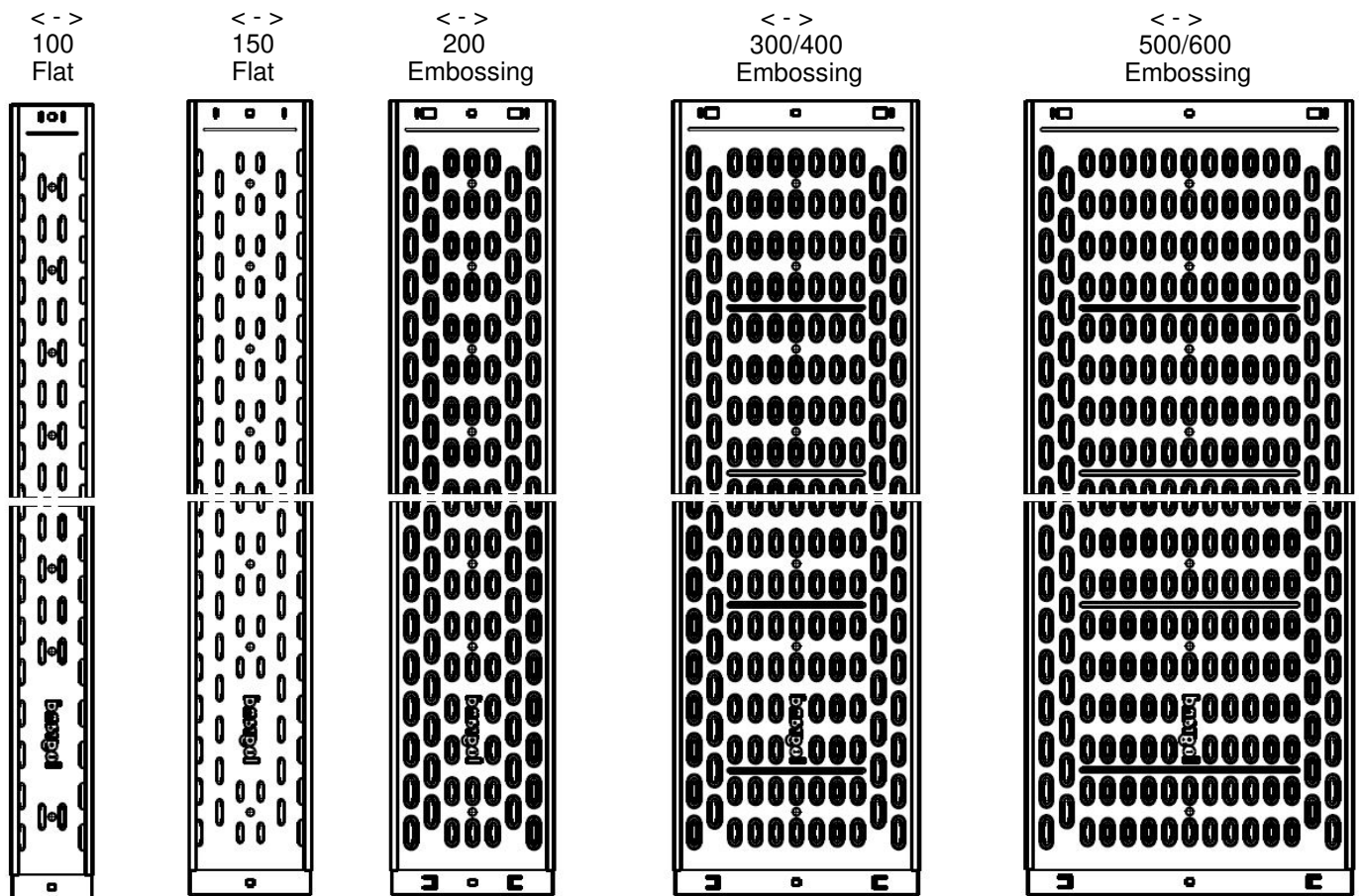
1. USE

Perforated and blind cable trays H100 male female to screw.

2. REFERENCE(S)

484068/484069/484070/484071/484072/484073/484030/484031/484032/484033/484092/484093/480068/480069/481070/481071/480072/480073/480107/482068/482069/482170/482171/482072/482073/482106/480030/480031/480032/480033/480092/480093/480106/482088/482089/482090/482091/482092/482093/482107/485089/485090/485091/485092/485093/485094/485095/485162/485163/485164/485165/485166/485167/485168

3. RANGE PERFORATED (PG, HDG, BLUE, ZNMG)



■ 3.1 Perforated cable trays male female to screw PG 3000mm + 30mm (118.11" + 1.18").

Description	Code	Width		Weight		Thickness		Coating	Section	
		(mm)	(inch)	(Kg)	(lb)	(mm)	(inch)		(mm²)	(inch²)
P31-TRAY PERF 3M M/F 100X100 PG	480068	100	3,94	4,20	9,26	0,60	0,02	PG	9857	15,28
P31-TRAY PERF 3M M/F 100X150 PG	480069	150	5,91	4,80	10,58	0,60	0,02	PG	14727	22,83
P31-TRAY PERF EMB 3M M/F 100X200 PG	481070	200	7,87	5,60	12,35	0,60	0,02	PG	19697	30,53
P31-TRAY PERF EMB 3M M/F 100X300 PG	481071	300	11,81	8,02	17,69	0,75	0,03	PG	29637	45,94
P31-TRAY PERF EMB 3M M/F 100X400 PG	480072	400	15,75	12,21	26,92	0,90	0,04	PG	39577	61,34
P31-TRAY PERF EMB 3M M/F 100X500 PG	480073	500	19,69	15,45	34,07	0,90	0,04	PG	49517	76,75
P31-TRAY PERF EMB 3M M/F 100X600 PG	480107	600	23,62	16,20	35,71	0,90	0,04	PG	59457	92,16

■ 3.2 Perforated cable trays male female to screw HDG 3000mm + 30mm (118.11" + 1.18").

Description	Code	Width		Weight		Thickness		Coating	Section	
		(mm)	(inch)	(Kg)	(lb)	(mm)	(inch)		(mm²)	(inch²)
P31-TRAY PERF 3M M/F 100X100 HDG	482068	100	3,94	4,62	10,19	0,60	0,02	HDG	9857	15,28
P31-TRAY PERF 3M M/F 100X150 HDG	482069	150	5,91	5,28	11,64	0,60	0,02	HDG	14727	22,83
P31-TRAY PERF EMB 3M M/F 100X200 HDG	482170	200	7,87	6,16	13,58	0,60	0,02	HDG	19697	30,53
P31-TRAY PERF EMB 3M M/F 100X300 HDG	482171	300	11,81	8,83	19,46	0,75	0,03	HDG	29637	45,94
P31-TRAY PERF EMB 3M M/F 100X400 HDG	482072	400	15,75	13,43	29,61	0,90	0,04	HDG	39577	61,34
P31-TRAY PERF EMB 3M M/F 100X500 HDG	482073	500	19,69	17,00	37,48	0,90	0,04	HDG	49517	76,75
P31-TRAY PERF EMB 3M M/F 100X600 HDG	482106	600	23,62	17,82	39,29	0,90	0,04	HDG	59457	92,16

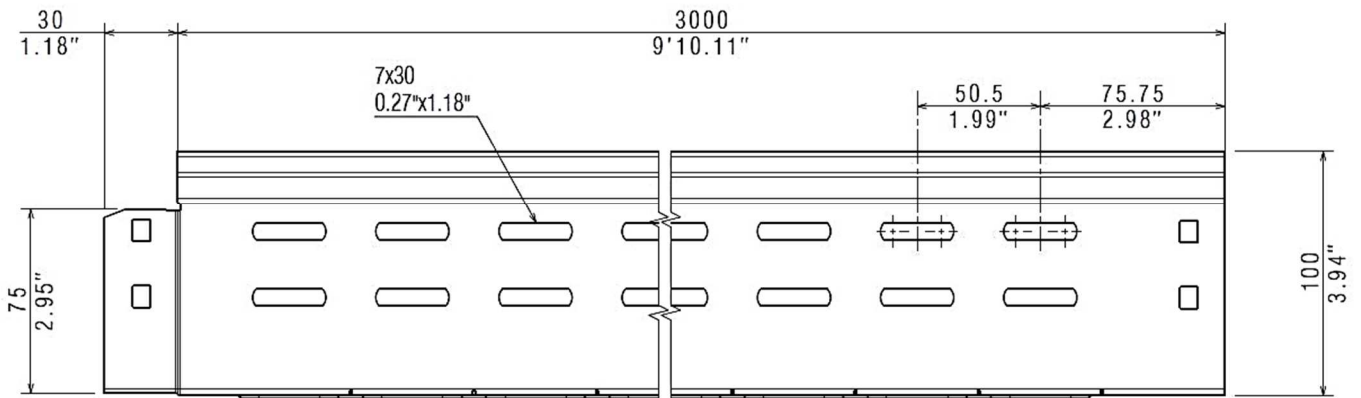
■ 3.3 Perforated cable trays male female to screw BLUE 3000mm + 30mm (118.11" + 1.18").

Description	Code	Width		Weight		Thickness		Coating	Section	
		(mm)	(inch)	(Kg)	(lb)	(mm)	(inch)		(mm²)	(inch²)
P31-TRAY PERF 3M M/F 100X100 BLUE	484068	100	3,94	4,20	9,26	0,60	0,02	BLUE	9857	15,28
P31-TRAY PERF 3M M/F 100X150 BLUE	484069	150	5,91	4,82	10,63	0,60	0,02	BLUE	14727	22,83
P31-TRAY PERF 3M M/F 100X200 BLUE	484070	200	7,87	5,57	12,29	0,60	0,02	BLUE	19637	30,44
P31-TRAY PERF 3M M/F 100X300 BLUE	484071	300	11,81	8,59	18,93	0,75	0,03	BLUE	29577	45,84
P31-TRAY PERF 3M M/F 100X400 BLUE	484072	400	15,75	12,24	26,97	0,90	0,04	BLUE	39577	61,34
P31-TRAY PERF 3M M/F 100X500 BLUE	484073	500	19,69	14,19	31,29	0,90	0,04	BLUE	49517	76,75

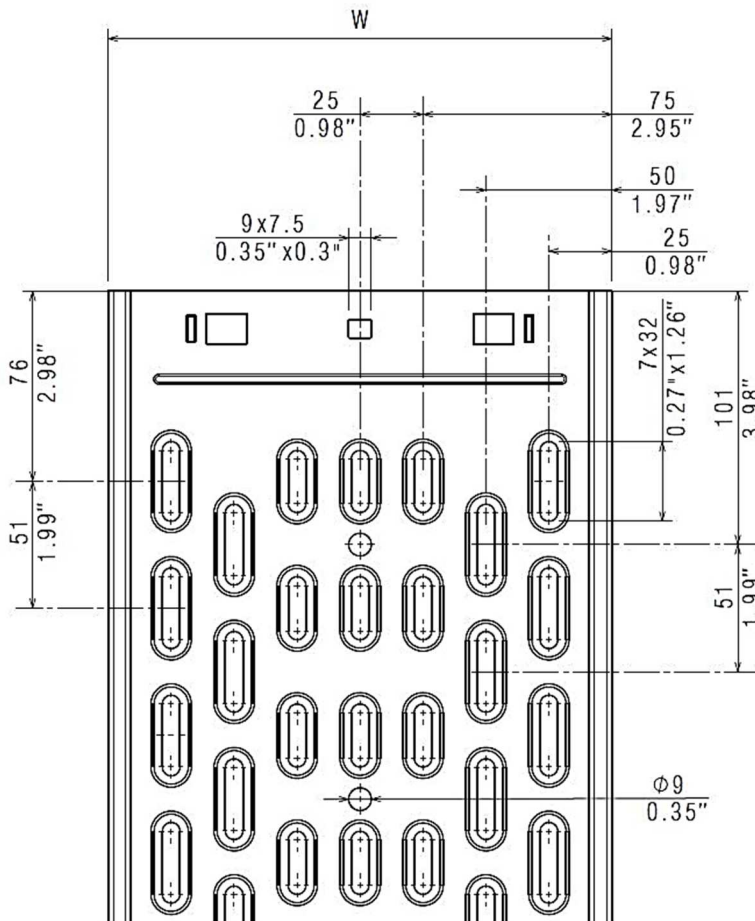
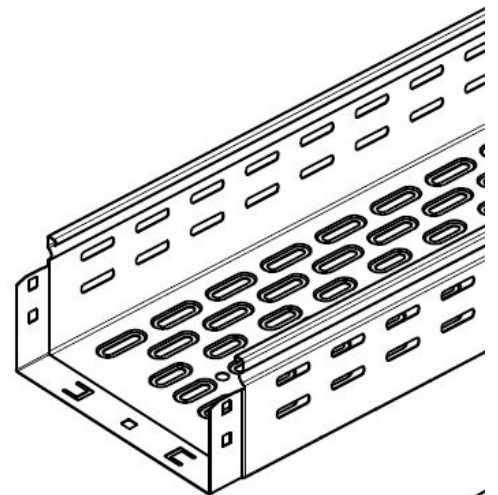
■ 3.4 Perforated cable trays male female to screw ZNMG 3000mm + 30mm (118.11" + 1.18").

Description	Code	Width		Weight		Thickness		Coating	Section	
		(mm)	(inch)	(Kg)	(lb)	(mm)	(inch)		(mm²)	(inch²)
P31-TRAY PERF 3M M/F 100X100 ZM	485089	100	3,94	4,20	9,26	0,60	0,02	ZNMG	9857	15,28
P31-TRAY PERF 3M M/F 100X150 ZM	485090	150	5,91	4,82	10,63	0,60	0,02	ZNMG	14727	22,83
P31-TRAY PERF EMB 3M M/F 100X200 ZM	485091	200	7,87	5,57	12,29	0,60	0,02	ZNMG	19637	30,44
P31-TRAY PERF EMB 3M M/F 100X300 ZM	485092	300	11,81	8,96	19,75	0,80	0,03	ZNMG	31612	49,00
P31-TRAY PERF EMB 3M M/F 100X400 ZM	485093	400	15,75	13,20	29,10	1,00	0,04	ZNMG	43974	68,16
P31-TRAY PERF EMB 3M M/F 100X500 ZM	485094	500	19,69	15,26	33,64	1,00	0,04	ZNMG	55019	85,28
P31-TRAY PERF EMB 3M M/F 100X600 ZM	485095	600	23,62	17,35	38,25	1,00	0,04	ZNMG	66063	102,40

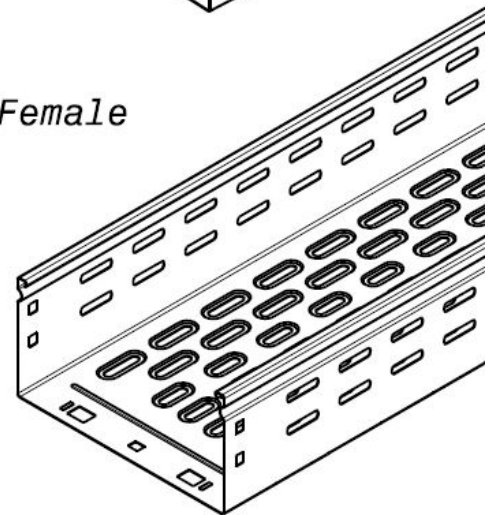
4. DIMENSIONS PERFORATED (mm/inch)



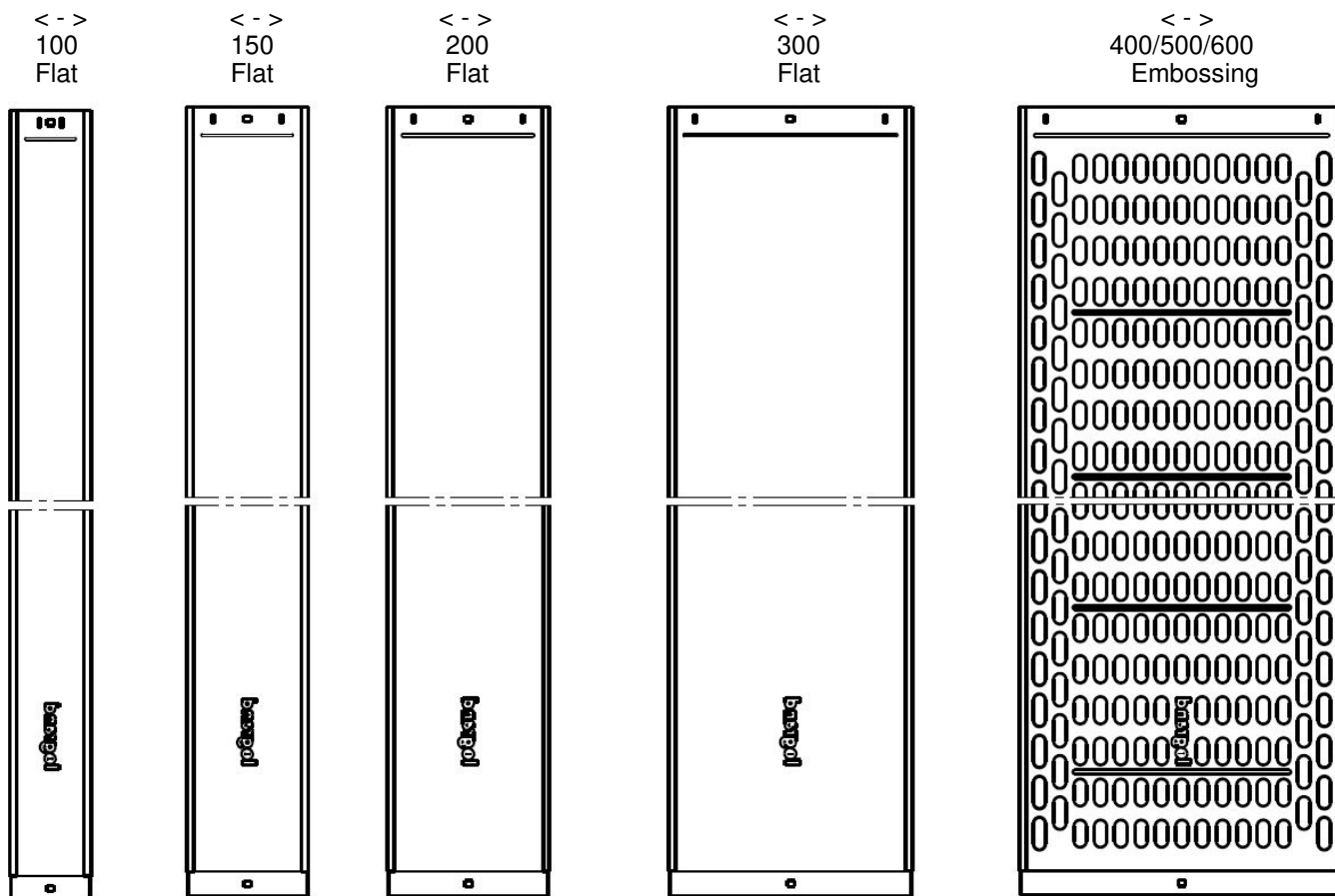
Description	Width (W)	
	(mm)	(inch)
P31-TRAY PERFORATED 100X100	100	3,94
P31-TRAY PERFORATED 100X150	150	5,91
P31-TRAY PERFORATED 100X200	200	7,87
P31-TRAY PERFORATED 100X300	300	11,81
P31-TRAY PERFORATED 100X400	400	15,75
P31-TRAY PERFORATED 100X500	500	19,69
P31-TRAY PERFORATED 100X600	600	23,62



Male/Female



5. RANGE BLIND (PG, HDG, BLUE, ZNMG)



■ 5.1 Blind cable trays male female to screw PG 3000mm + 30mm (118.11" + 1.18").

Description	Code	Width		Weight		Thickness		Coating	Section	
		(mm)	(inch)	(Kg)	(lb)	(mm)	(inch)		(mm ²)	(inch ²)
P31-TRAY BLIND 3M M/F 100X100 PG	480030	100	3,94	4,64	10,24	0,60	0,02	PG	9857	15,28
P31-TRAY BLIND 3M M/F 100X150 PG	480031	150	5,91	5,36	11,81	0,60	0,02	PG	14727	22,83
P31-TRAY BLIND 3M M/F 100X200 PG	480032	200	7,87	9,08	20,01	0,90	0,04	PG	19637	30,44
P31-TRAY BLIND 3M M/F 100X300 PG	480033	300	11,81	11,22	24,74	0,90	0,04	PG	29577	45,84
P31-TRAY BLIND EMB 3M M/F 100X400 PG	480092	400	15,75	13,31	29,34	0,90	0,04	PG	39577	61,34
P31-TRAY BLIND EMB 3M M/F 100X500 PG	480093	500	19,69	15,45	34,07	0,90	0,04	PG	49517	76,75
P31-TRAY BLIND EMB 3M M/F 100X600 PG	480106	600	23,62	16,20	35,71	0,90	0,04	PG	59457	92,16

■ 5.2 Blind cable trays male female to screw HDG 3000mm + 30mm (118.11" + 1.18").

Description	Code	Width		Weight		Thickness		Coating	Section	
		(mm)	(inch)	(Kg)	(lb)	(mm)	(inch)		(mm ²)	(inch ²)
P31-TRAY BLIND 3M M/F 100X100 HDG	482088	100	3,94	5,11	11,26	0,60	0,02	HDG	9857	15,28
P31-TRAY BLIND 3M M/F 100X150 HDG	482089	150	5,91	5,89	13,00	0,60	0,02	HDG	14727	22,83
P31-TRAY BLIND 3M M/F 100X200 HDG	482090	200	7,87	9,98	22,01	0,90	0,04	HDG	19637	30,44
P31-TRAY BLIND 3M M/F 100X300 HDG	482091	300	11,81	12,34	27,21	0,90	0,04	HDG	29577	45,84
P31-TRAY BLIND EMB 3M M/F 100X400 HDG	482092	400	15,75	14,64	32,28	0,90	0,04	HDG	39577	61,34
P31-TRAY BLIND EMB 3M M/F 100X500 HDG	482093	500	19,69	17,00	37,48	0,90	0,04	HDG	49517	76,75
P31-TRAY BLIND EMB 3M M/F 100X600 HDG	482107	600	23,62	17,82	39,29	0,90	0,04	HDG	59457	92,16

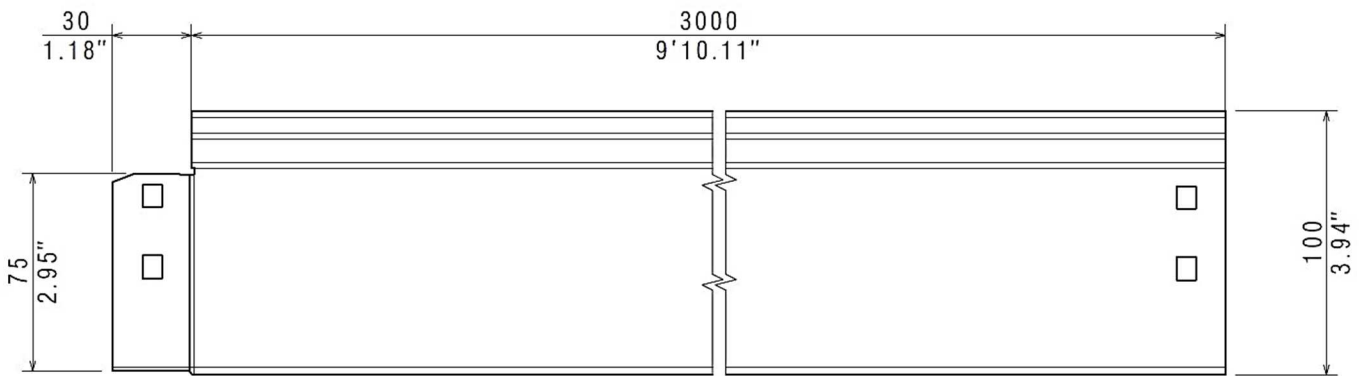
■ 5.3 Blind cable trays male female to screw BLUE 3000mm + 30mm (118.11" + 1.18").

Description	Code	Width		Weight		Thickness		Coating	Section	
		(mm)	(inch)	(Kg)	(lb)	(mm)	(inch)		(mm ²)	(inch ²)
P31-TRAY BLIND 3M M/F 100X100 BLUE	484030	100	3,94	4,66	10,27	0,60	0,02	BLUE	9857	15,28
P31-TRAY BLIND 3M M/F 100X150 BLUE	484031	150	5,91	5,37	11,85	0,60	0,02	BLUE	14727	22,83
P31-TRAY BLIND 3M M/F 100X200 BLUE	484032	200	7,87	9,08	20,01	0,90	0,04	BLUE	19637	30,44
P31-TRAY BLIND 3M M/F 100X300 BLUE	484033	300	11,81	11,22	24,74	0,90	0,04	BLUE	29577	45,84
P31-TRAY BLIND EMB 3M M/F 100X400 BLUE	484092	400	15,75	13,29	29,30	0,90	0,04	BLUE	39577	61,34
P31-TRAY BLIND EMB 3M M/F 100X500 BLUE	484093	500	19,69	15,43	34,02	0,90	0,04	BLUE	49517	76,75

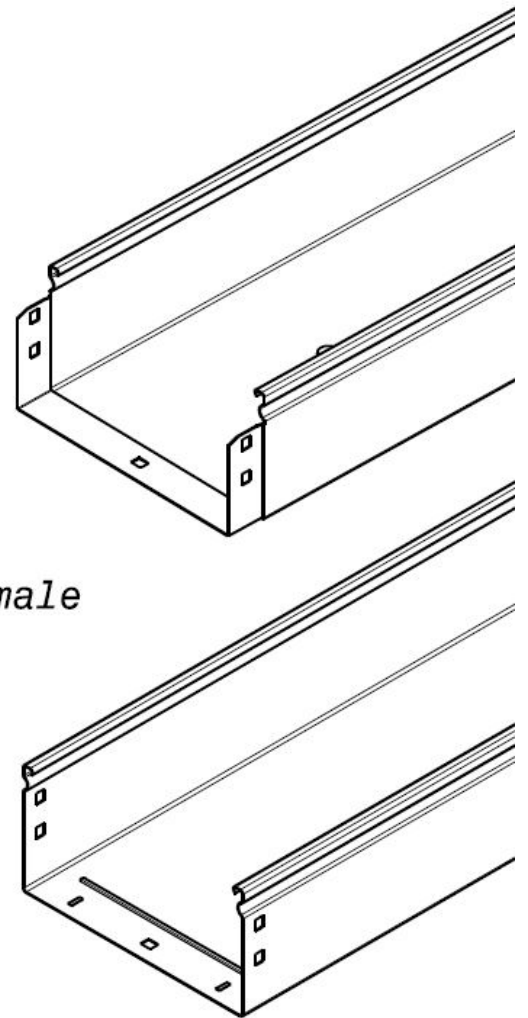
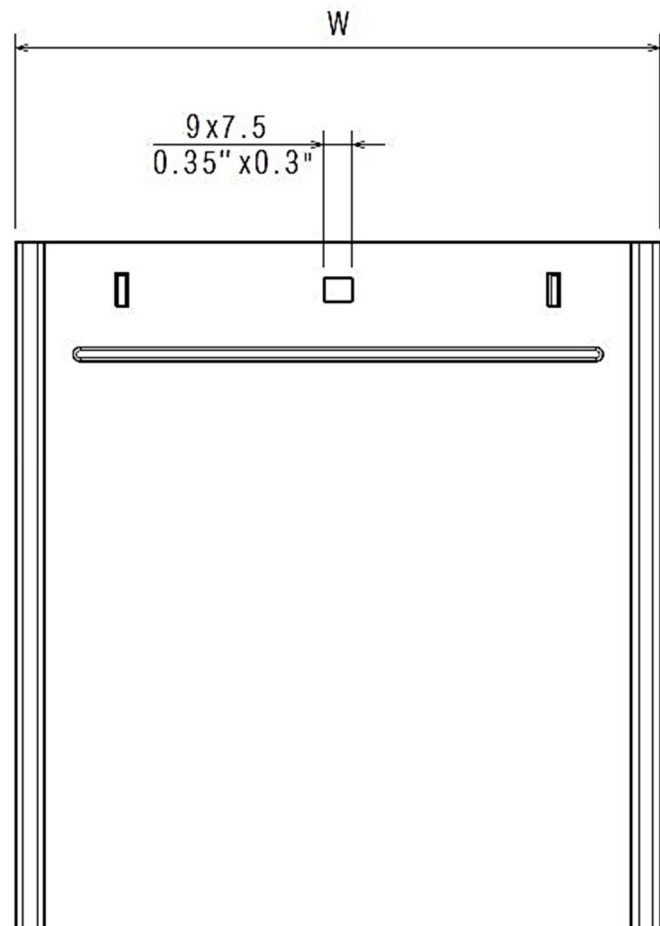
■ 5.4 Blind cable trays male female to screw ZNMG 3000mm + 30mm (118.11" + 1.18").

Description	Code	Width		Weight		Thickness		Coating	Section	
		(mm)	(inch)	(Kg)	(lb)	(mm)	(inch)		(mm ²)	(inch ²)
P31-TRAY BLIND FLAT 3M M/F 100X100 ZM	485162	100	3,94	4,64	10,23	0,60	0,02	ZNMG	9857	15,28
P31-TRAY BLIND FLAT 3M M/F 100X150 ZM	485163	150	5,91	5,36	11,82	0,60	0,02	ZNMG	14727	22,83
P31-TRAY BLIND FLAT 3M M/F 100X200 ZM	485164	200	7,87	10,00	22,05	1,00	0,04	ZNMG	21885	33,92
P31-TRAY BLIND FLAT 3M M/F 100X300 ZM	485165	300	11,81	12,40	27,34	1,00	0,04	ZNMG	32841	50,90
P31-TRAY BLIND EMB 3M M/F 100X400 ZM	485166	400	15,75	14,88	32,80	1,00	0,04	ZNMG	43974	68,16
P31-TRAY BLIND EMB 3M M/F 100X500 ZM	485167	500	19,69	17,17	37,85	1,00	0,04	ZNMG	55019	85,28
P31-TRAY BLIND EMB 3M M/F 100X600 ZM	485168	600	23,62	19,54	43,08	1,00	0,04	ZNMG	66063	102,40

6. DIMENSIONS BLIND (mm/inch)



Description	Width (W)	
	(mm)	(inch)
P31-TRAY BLIND 100X100	100	3,94
P31-TRAY BLIND 100X150	150	5,91
P31-TRAY BLIND 100X200	200	7,87
P31-TRAY BLIND 100X300	300	11,81
P31-TRAY BLIND 100X400	400	15,75
P31-TRAY BLIND 100X500	500	19,69
P31-TRAY BLIND 100X600	600	23,62



Male / Female

7. INSTALLATION

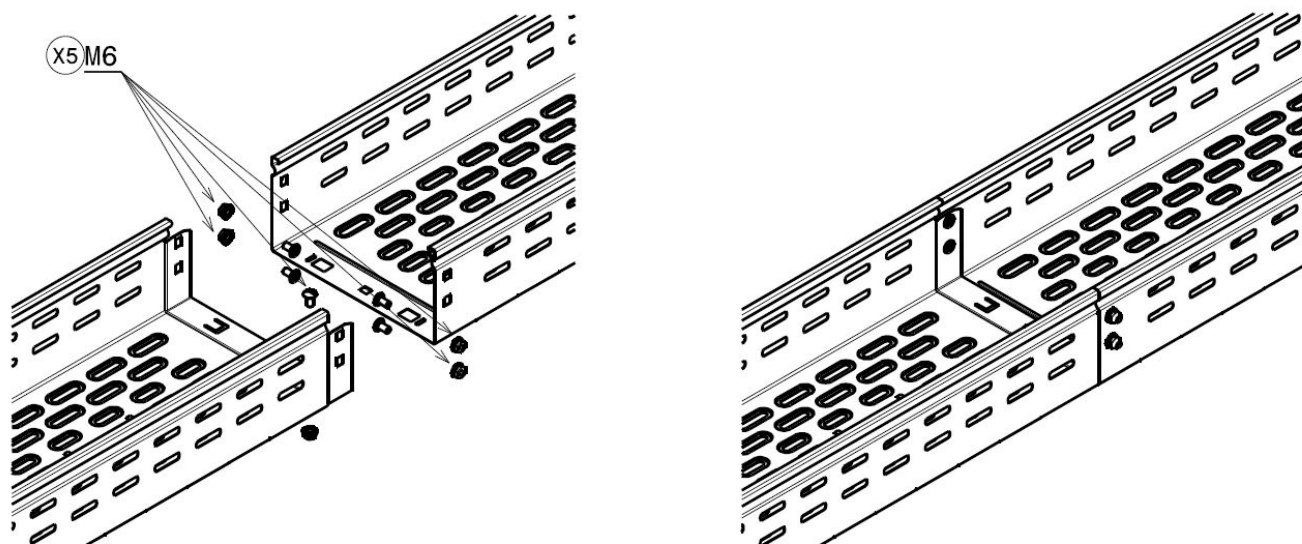
■ 7.1 Screw

Use screws M6x12 tightened at 11Nm

Reference(s): 341895/ 03V1M610Z (PG)
 485035 (Zn-Ni)
 346895/ 03V1M610L (SS316L)

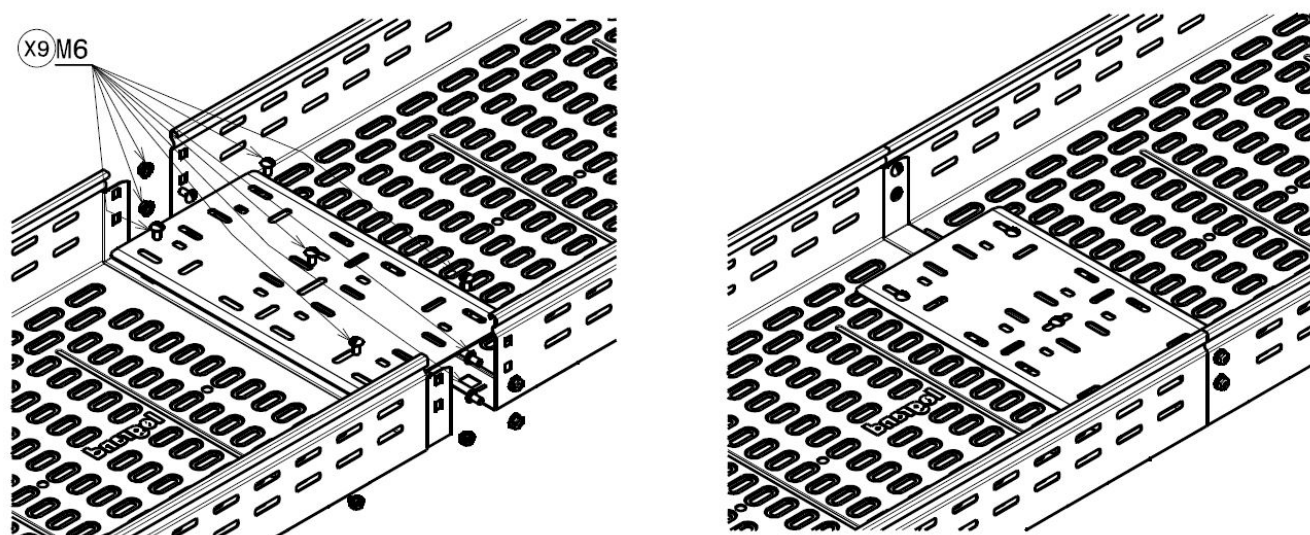
■ 7.2 Perforated Male/Female

Male/Female is assembled using 5 screws M6x12 on side and bottom.



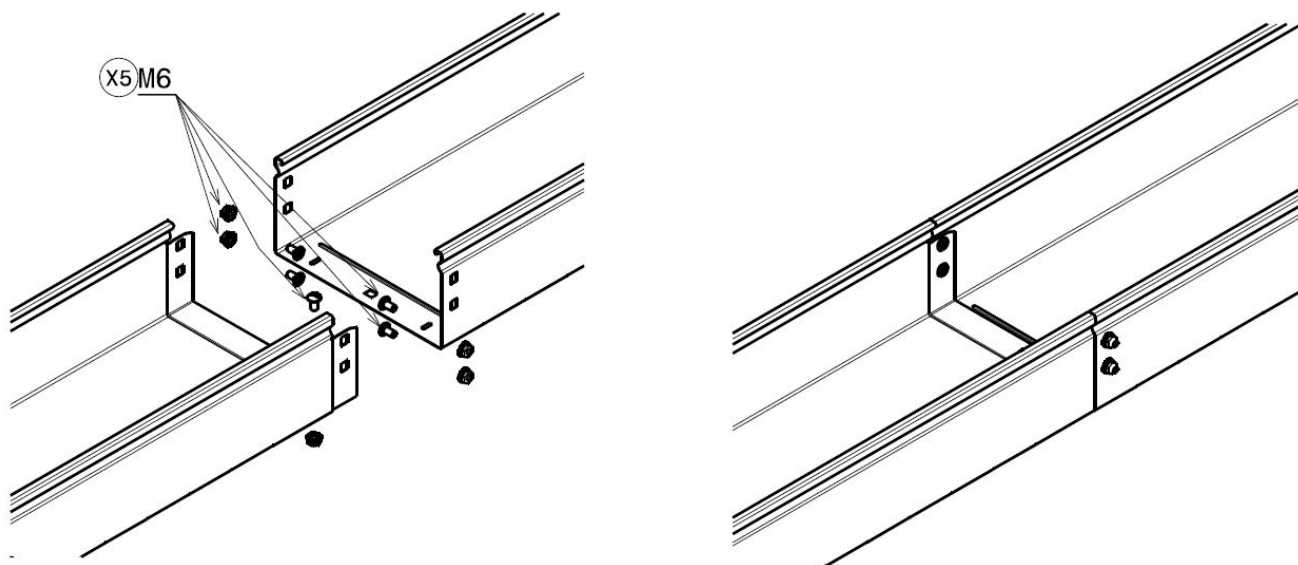
■ 7.3 Mounting bottom plate on perforated cable tray

Put an extra bottom plate from width 400mm (15.75") to 600mm (23.62") using 5 additional screws M6x12 to improve the safety working load.



■ **7.4 Blind Male/Female**

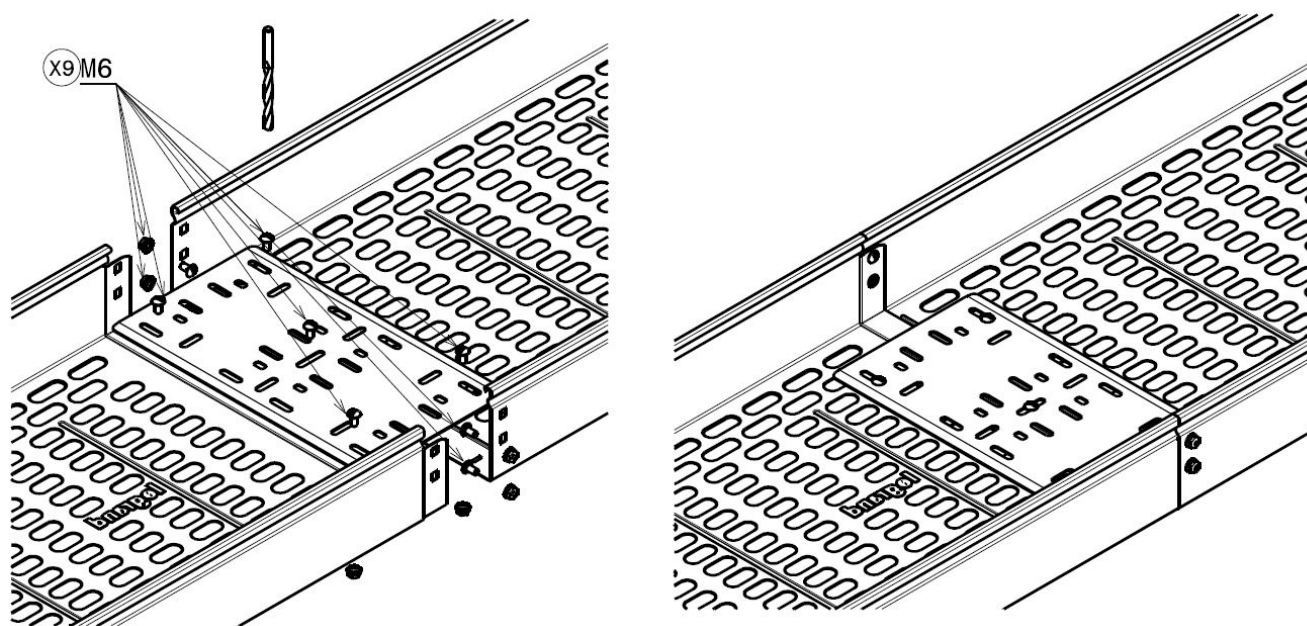
Male/Female is assembled using 5 screws M6x12 on side and bottom.



■ **7.5 Mounting bottom plate on blind cable tray**

Put an extra bottom plate from width 400mm (15.75") to 600mm (23.62") using 5 additional screws M6x12 to improve the safety working load.

Drill 4 holes in the bottom to fix the bottom plate; use 7mm diameter drill bit.



8. TECHNICAL DATA

8.1 Climatic characteristics

Storage and operating temperature: - 20° C à + 120° C

8.2 Material characteristics

Material finish	Material	Standard	Resistance class against corrosion
PG	DX51D + Z200	EN 10346	Classe 3 - CEI 61537
BLUE	DX51D + Z200	EN 10346	Classe 3 - CEI 61537
HDG	DC 01	EN 10130	Classe 6 - CEI 61537
SS304	X5CrNi18-10	EN 10 088-2	Classe 9A - CEI 61537
SS316L	X2CrNiMo17-12-2	EN 10 088-2	Classe 9B - CEI 61537
ZNMG	DX51D + ZM310 A-C	EN 10364	Classe 8 - CEI 61537

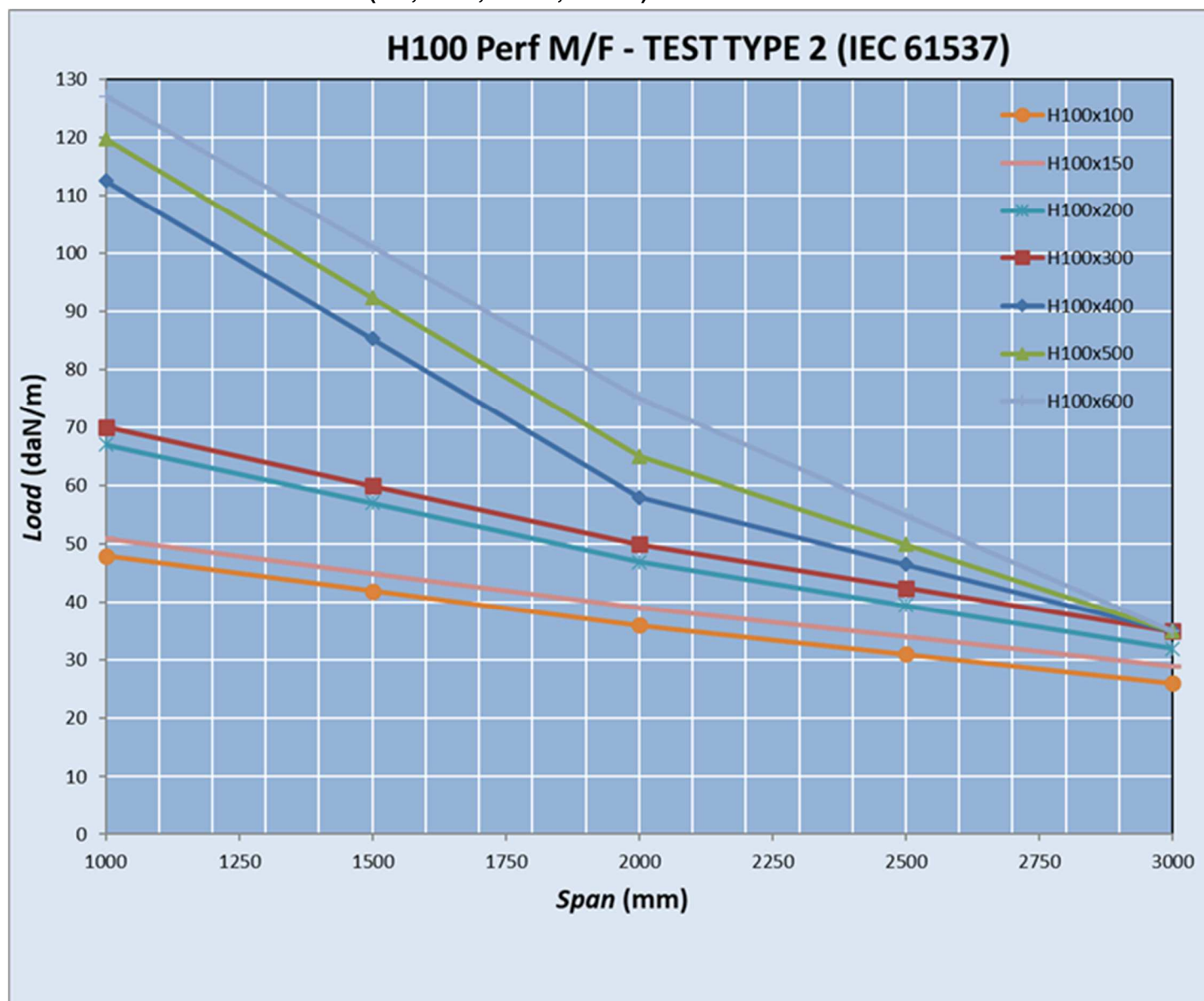
9. CONFORMITY - CERTIFICATION

Comply with CEI 61537 Cable tray systems

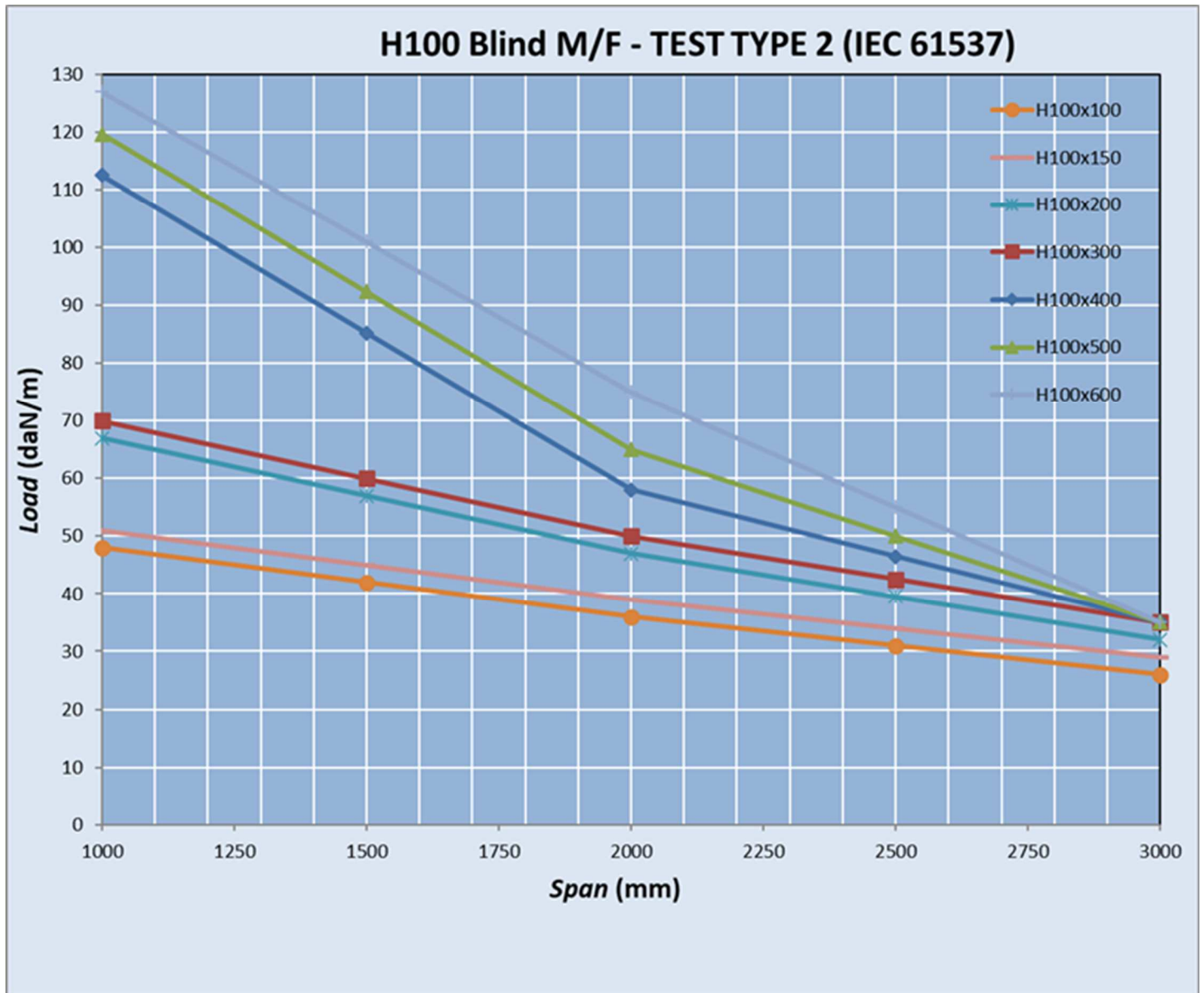
Certification: CE, IMQ

10. LOADING CURVES

10.1 Male/Female Perforated (PG, HDG, BLUE, ZNMG)



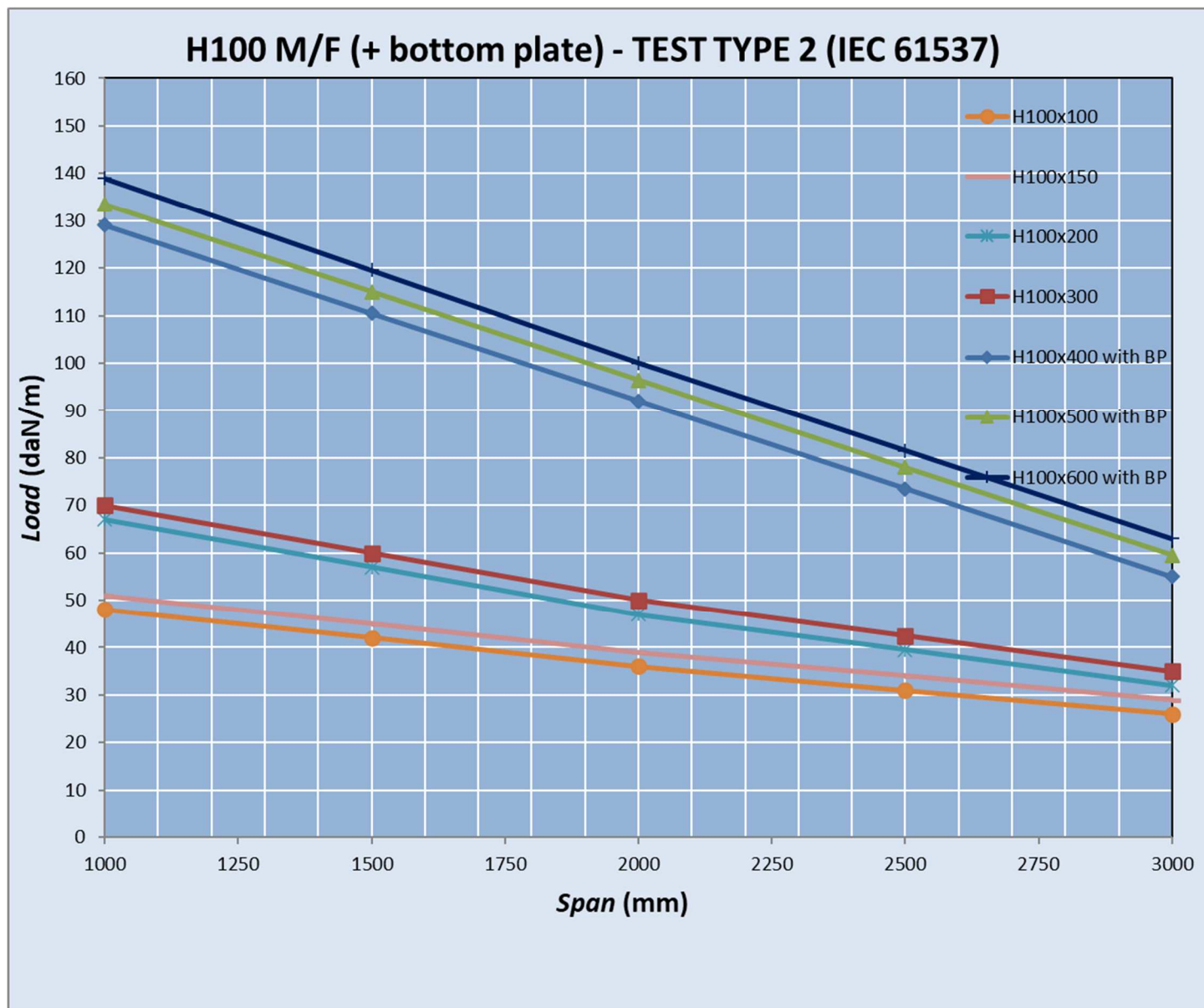
■ 10.2 Male/Female Blind (PG, HDG, BLUE, ZNMG)



■ 10.3 Male/Female with bottom plate on W400, W500, W600 (PG, HDG, BLUE, ZNMG).

Bottom plate for width from 400mm (15.75") to 600mm (23.62").

Description	PG	HDG	SS316L
P31 - BOTTOM PLATE W400	481181	482341	486016
P31 - BOTTOM PLATE W500	481182	482342	486017
P31 - BOTTOM PLATE W600	481183	482343	486018

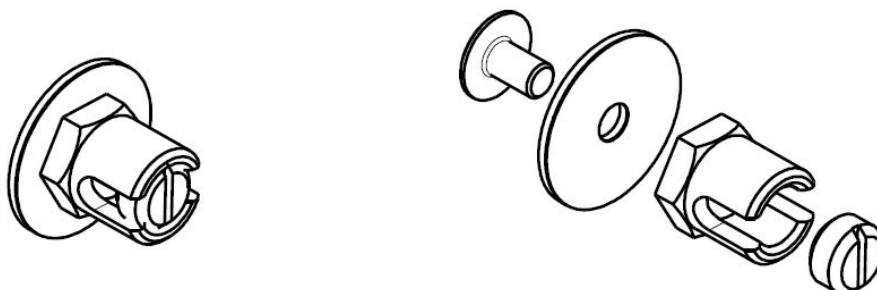


11. ADDITIONAL INFORMATION FOR UL

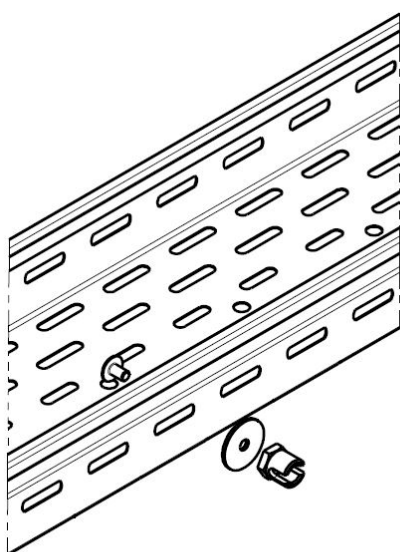
■ **11.1 Brass earth grounding connection (ECG)**

- Requires mandatory usage in USA when the system is used according to NFPA 70®

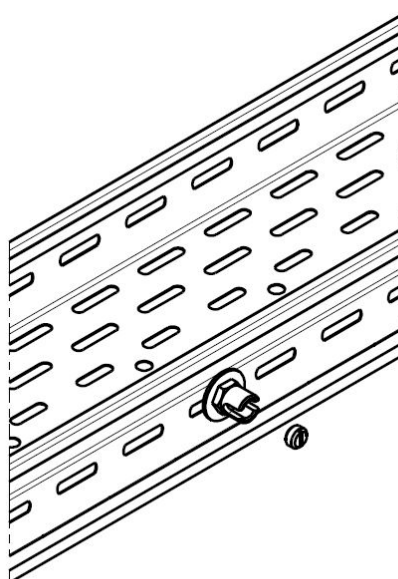
- Reference(s): 585357
585367
585377



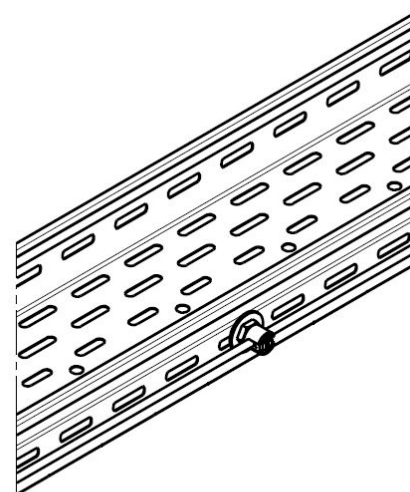
Description	Code	Material	Section	
			(mm ²)	(inch ²)
BLT6-16 CU EARTH TERMINAL	585357	BRASS	16	0,025
BLT6-35 CU EARTH TERMINAL	585367		35	0,054
BLT6-50 CU EARTH TERMINAL	585377		50	0,078



①



②



③

Refer to technical sheet FT1036 for further information.