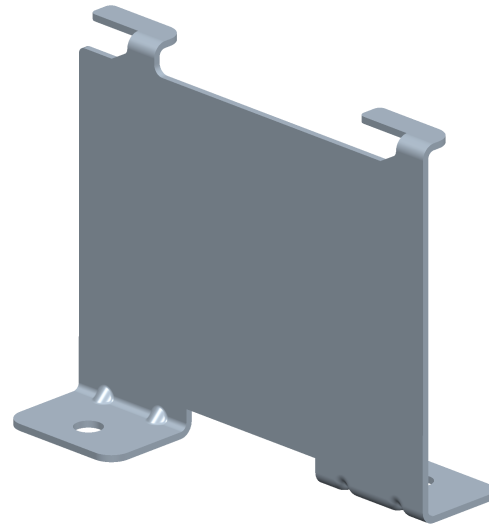
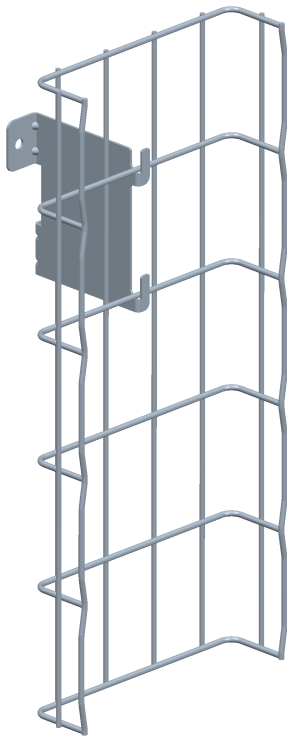


**FBV100-600 CONSOLE AGROALIMENTAIRE**  
**FBV100-600 FOOD BRACKET**

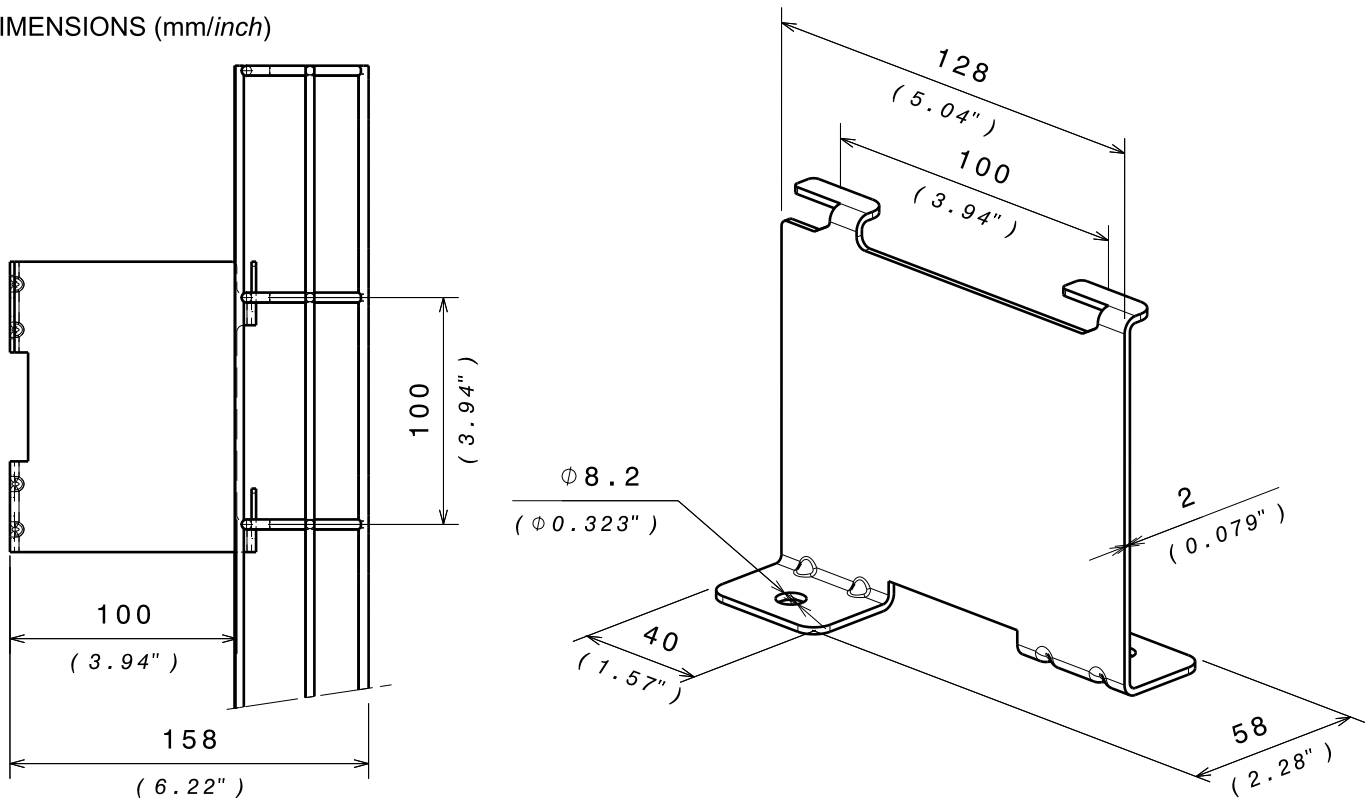
Reference(s) : 350 586



1. GAMME / RANGE

Designation	Code	Poids / Weight		Epaisseur / Thickness		Matière / Material	Norme / Standard	Finition / Coating	Classe de résistance contre la corrosion / Class for resistance against corrosion
		(Kg)	(lb)	(mm)	(inch)				
FBV100-600 SS304L FOOD BRACKET	350586	0.236	0.520	2	0.079	X2 Cr Ni 18-9	EN 10 088-2	IN304L / SS304L	Class 9A / IEC 61537

2. DIMENSIONS (mm/inch)



**CONSOLE AGROALIMENTAIRE FBV100-600  
 FBV100-600 FOOD BRACKET**

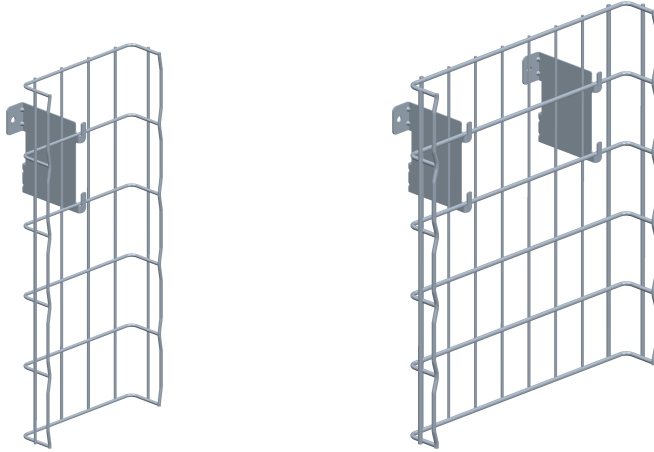
Reference(s) : 350 586

2. INSTALLATION / MOUNTING



CF30 - CF54 - CF105

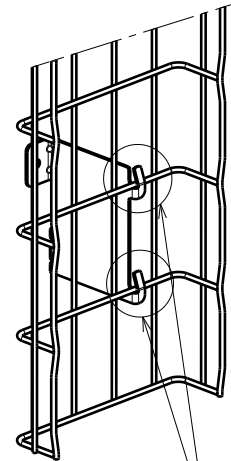
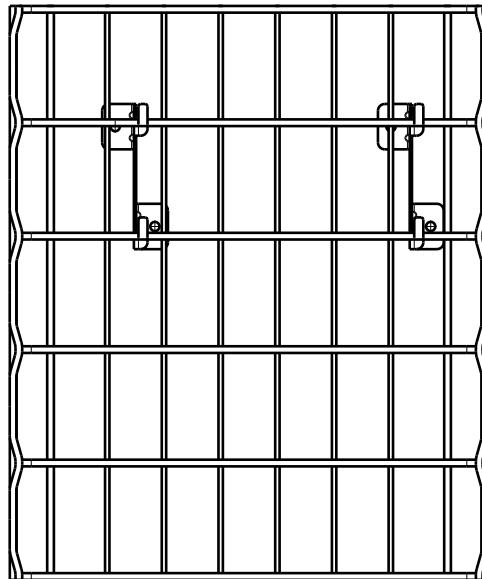
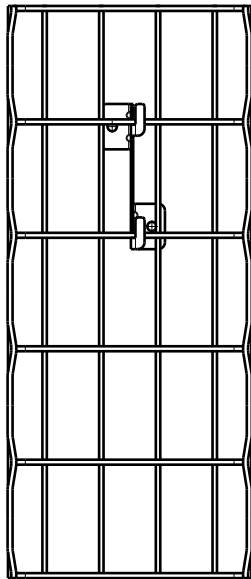
Montage vertical seulement /  
 Vertical mounting only



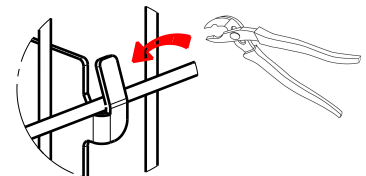
100 → 200 X1



300 → 600 X2



Verrouillage / locking



4. RECOMMANDATION / RECOMMENDATION

portée / span (m / inch)		nombre de support minimum / support number minimum						
		CF 54/50	CF 54/100	CF 54/200	CF 54/300	CF 54/400	CF 54/500	CF 54/600
1	39.4	1	1	1	2	2	2	2
1.5	59.1	1	1	1	2	2	2	2
2	78.7	1	1	1	2	2	2	2