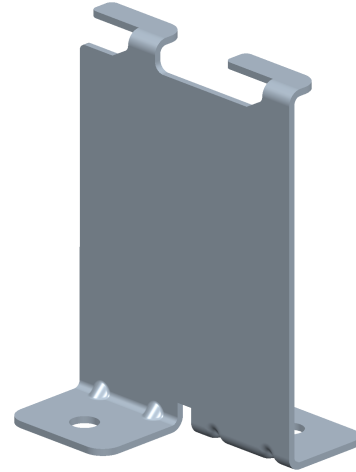
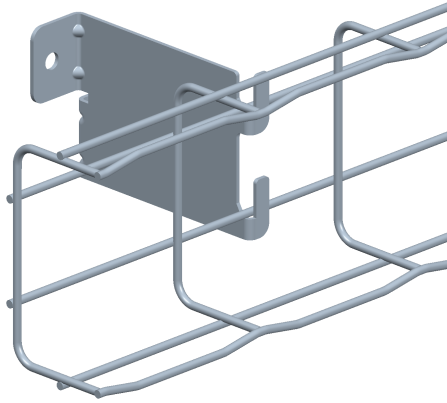


FBH100-600 CONSOLE AGROALIMENTAIRE
FBH100-600 FOOD BRACKET

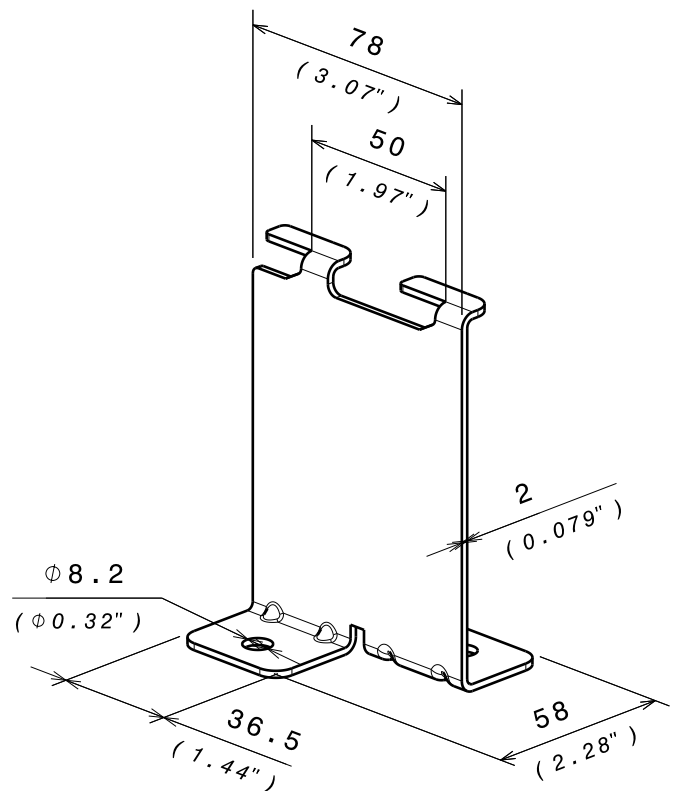
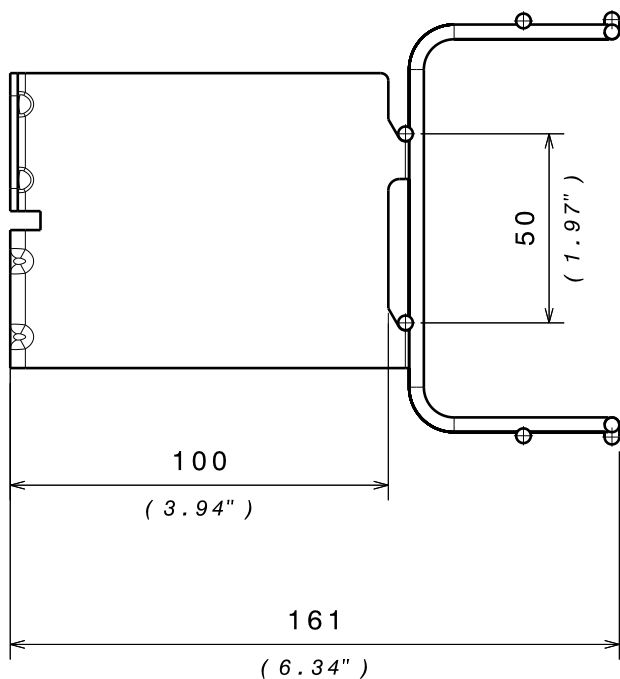
Reference(s) : 350 585



1. GAMME / RANGE

Designation	Code	Poids / Weight (Kg) (lb)		Epaisseur / Thickness (mm) (inch)		Matière / Material	Norme / Standard	Finition / Coating	Classe de résistance contre la corrosion / Class for resistance against corrosion
FBH100-600 SS304L FOOD BRACKET	350585	0.160	0.353	2	0.079	X2 Cr Ni 18-9	EN 10 088-2	IN304L / SS304L	Class 9A / IEC 61537

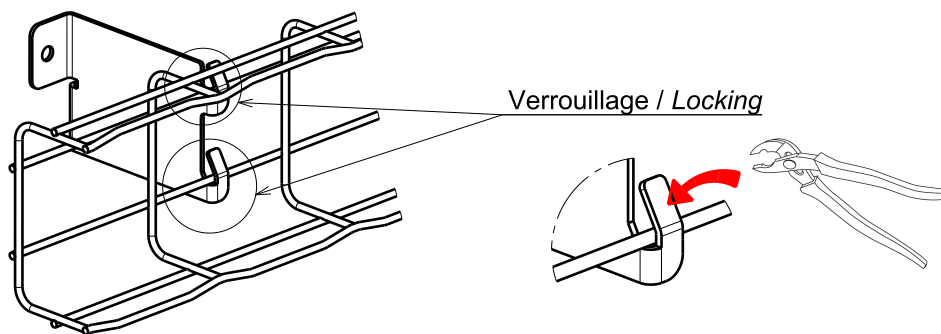
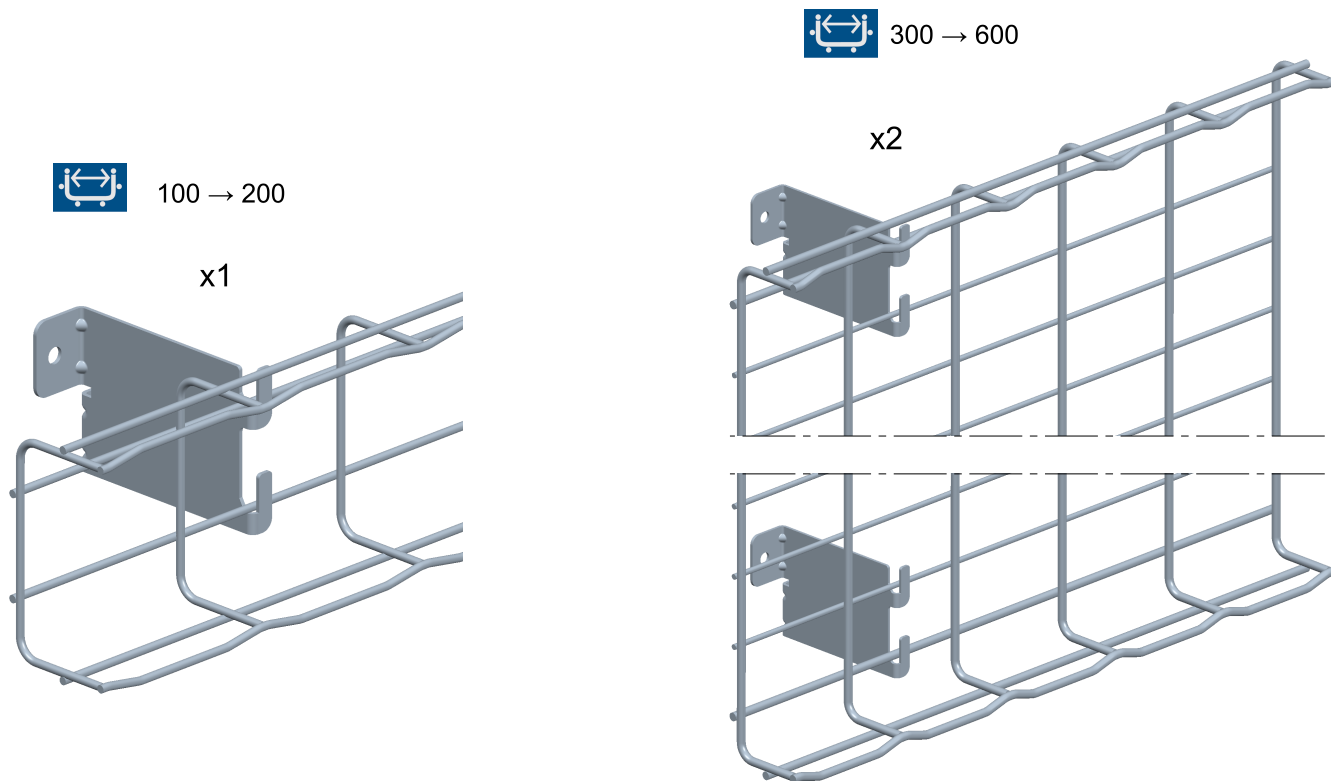
2. DIMENSIONS (mm/inch)



FBH100-600 CONSOLE AGROALIMENTAIRE
FOOD BRACKET FBH100-600

Reference(s) : 350 585

3. INSTALLATION / MOUNTING  CF30 - CF54 - CF105



4. RECOMMANDATION / RECOMMENDATION

portée / span (m / inch)		nombre de support minimum / support number minimum						
		CF 54/50	CF 54/100	CF 54/200	CF 54/300	CF 54/400	CF 54/500	CF 54/600
1	39.4	1	1	1	2	2	2	2
1.5	59.1	1	1	1	2	2	2	2
2	78.7	1	1	1	2	2	2	2