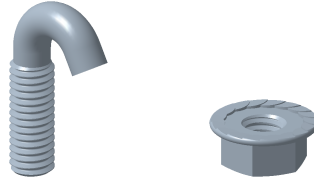


J-BOLT 6/15

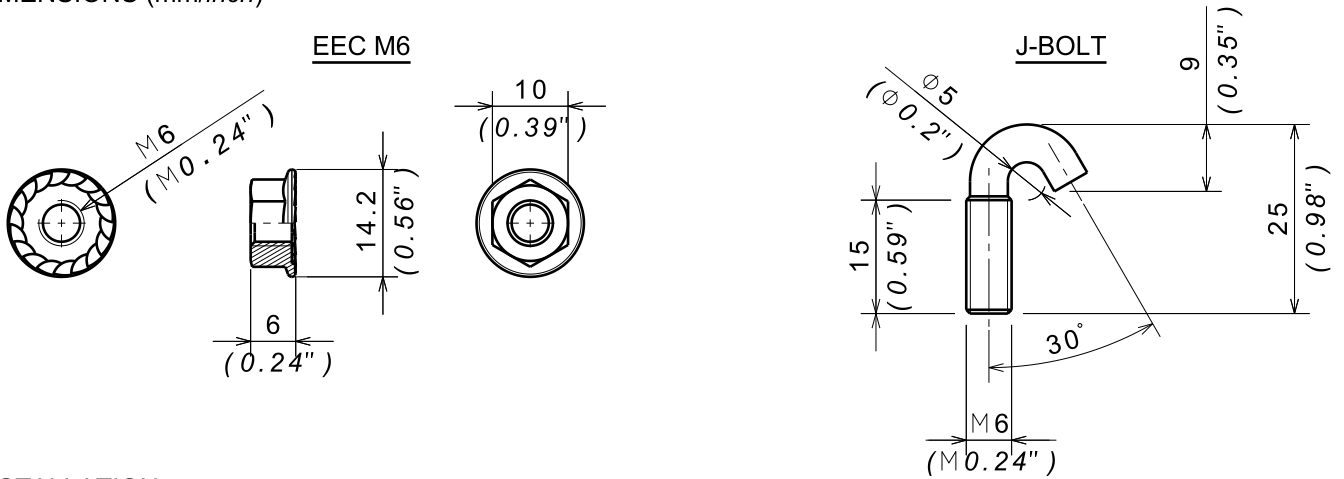
Reference(s) : 100 653



1. GAMME / RANGE

Designation	Code	Pièce / Part	Poids / Weight (Kg)	Weight (lb)	Classe / Class	Norme / Standard	Finition / Coating	Norme / Standard	Colisage / Packing
J-BOLT 6/15 EZ	100 653	EEC M6	0.00343	0.00755	8	ISO 898-2	Fe/Zn5/A	ISO 4042	100
		J-BOLT	0.00586	0.01292	4.8	ISO 898-1	Fe/Zn5/A	ISO 4042	100

2. DIMENSIONS (mm/inch)



3. INSTALLATION

