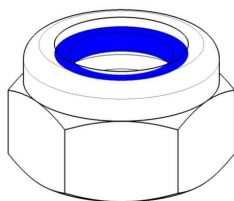


EHMF8 DC

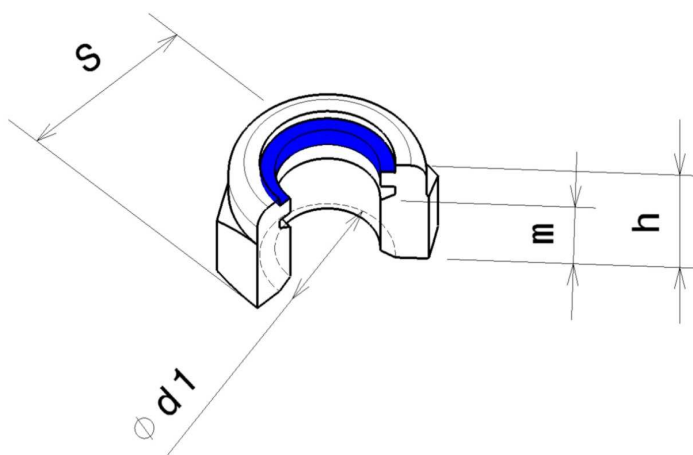
Reference(s) : 801 243



1 RANGE

Designation	Ref	TYPE	STELL	STANDARD	Norme Standard	Finition Coating
EHMF8 DC	801 243	NFE 25-412	06	ISO 898-2	Zinc Nickel	NiZn

Dimensions :



Designation	Ref	d1 (mm/inch)	m (mm/inch)	h (mm/inch)	S (mm/inch)	Colisage Packing	Masse/Weight (Kg/u / Lb/u)
EHMF8 DC	801 243	M8	4,6 / 0.18	8,8 / 0.34	13 / 0.50	100	0,475 / 1,047