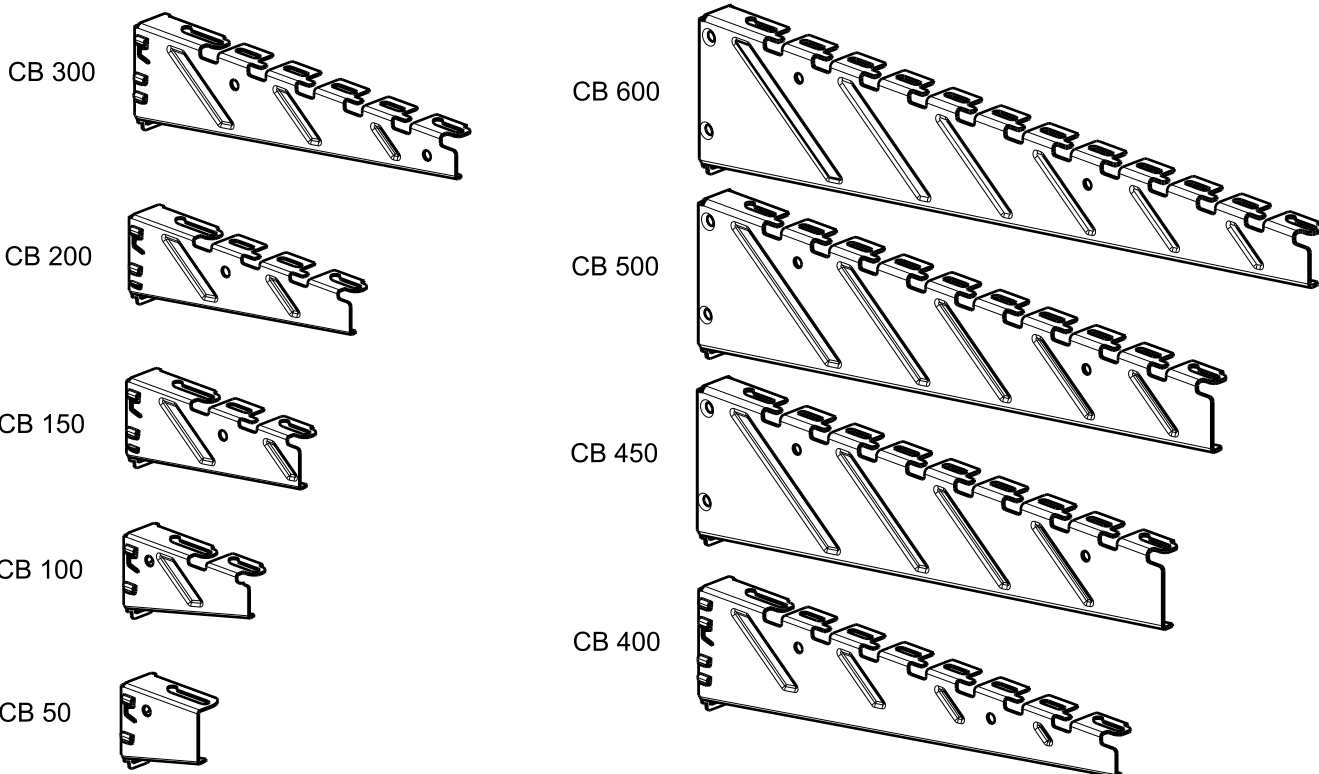


CONSOLE CB 50 à 600 CB COMPACT BRACKET 50 to 600

Reference(s) : 350 800/810/820/830/840/850/860/870/895
350 803/813/823/833/843/853/863/873/893
350 804/814/824/834/844/854/864/874/894/896
350 806/816/826/846/856/866/876



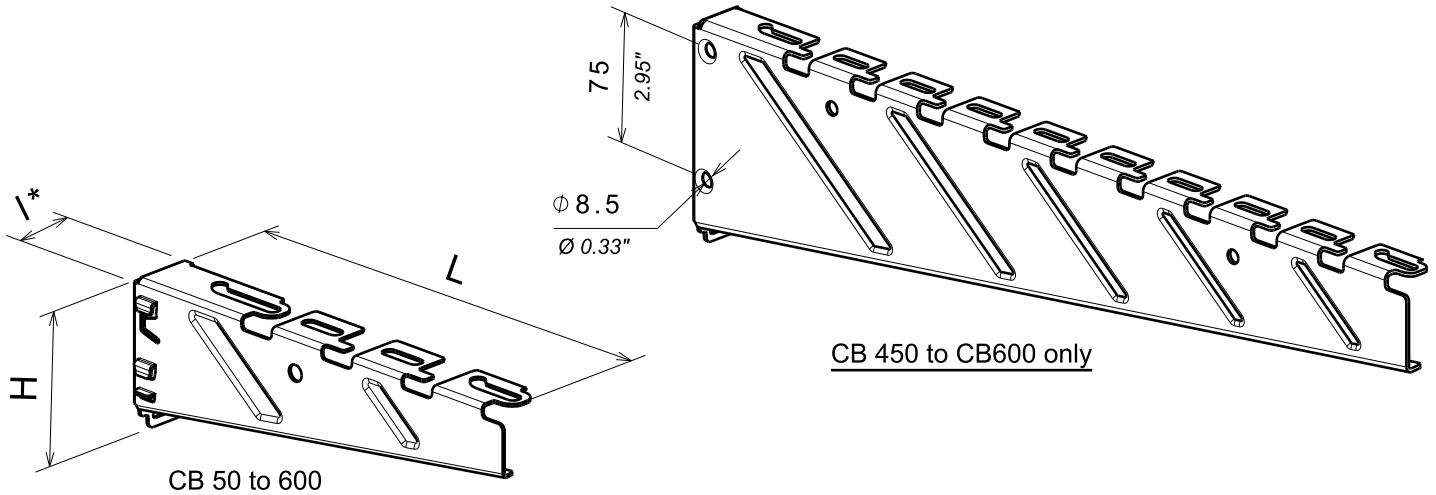
1. GAMME / RANGE

Designation	Code	Poids / Weight (Kg)		Epaisseur / Thickness (mm)		Matière / Material	Norme / Standard	Finition / Coating	Classe de résistance contre la corrosion / Resistance class against corrosion
		(lb)	(inch)	(mm)	(inch)				
CB 50 GS	350 800	0.090	0.198	1.2	0.047	S250 GD Z200	EN 10 346	GS / PG	Class 3 / CEI 61537
CB 50 HDG	350 803	0.096	0.212			S235 JR	EN 10 025	GC / HDG	Class 6 / CEI 61537
CB 50 316L	350 804	0.092	0.203			X2 Cr Ni Mo 17-12-2	EN 10 088-2	IN316L / SS316L	Class 9D / CEI 61537
CB 100 GS	350 810	0.117	0.258			S250 GD Z200	EN 10 346	GS / PG	Class 3 / CEI 61537
CB 100 HDG	350 813	0.125	0.276			S235 JR	EN 10 025	GC / HDG	Class 6 / CEI 61537
CB 100 316L	350 814	0.120	0.265			X2 Cr Ni Mo 17-12-2	EN 10 088-2	IN316L / SS316L	Class 9D / CEI 61537
CB 100 ZnMg-HR	350 816	0.117	0.258			S250 GD ZM	EN 10 346	ZnMg-HR	Class 8 / CEI 61537
CB 150 GS	350 820	0.162	0.357			S250 GD Z200	EN 10 346	GS / PG	Class 3 / CEI 61537
CB 150 HDG	350 823	0.173	0.382			S235 JR	EN 10 025	GC / HDG	Class 6 / CEI 61537
CB 150 316L	350 824	0.166	0.366			X2 Cr Ni Mo 17-12-2	EN 10 088-2	IN316L / SS316L	Class 9D / CEI 61537
CB 150 ZnMg-HR	350 826	0.162	0.357	S250 GD ZM	EN 10 346	ZnMg-HR	Class 8 / CEI 61537		
CB 200 GS	350 830	0.188	0.415	1.5	0.059	S250 GD Z200	EN 10 346	GS / PG	Class 3 / CEI 61537
CB 200 HDG	350 833	0.201	0.444			S235 JR	EN 10 025	GC / HDG	Class 6 / CEI 61537
CB 200 316L	350 834	0.193	0.425			X2 Cr Ni Mo 17-12-2	EN 10 088-2	IN316L / SS316L	Class 9D / CEI 61537
CB 200 ZnMg-HR	350 846	0.188	0.415			S250 GD ZM	EN 10 346	ZnMg-HR	Class 8 / CEI 61537
CB 300 GS	350 840	0.347	0.765			S250 GD Z200	EN 10 346	GS / PG	Class 3 / CEI 61537
CB 300 HDG	350 843	0.371	0.819			S235 JR	EN 10 025	GC / HDG	Class 6 / CEI 61537
CB 300 316L	340 844	0.355	0.783			X2 Cr Ni Mo 17-12-2	EN 10 088-2	IN316L / SS316L	Class 9D / CEI 61537
CB 300 ZnMg-HR	350 856	0.347	0.765			S250 GD ZM	EN 10 346	ZnMg-HR	Class 8 / CEI 61537
CB 350 GS	sur projet	0.449	0.990			S250 GD Z200	EN 10 346	GS / PG	Class 3 / CEI 61537
CB 350 HDG	sur projet	0.480	1.059			S235 JR	EN 10 025	GC / HDG	Class 6 / CEI 61537
CB 350 316L	sur projet	0.460	1.014	X2 Cr Ni Mo 17-12-2	EN 10 088-2	IN316L / SS316L	Class 9D / CEI 61537		
CB 400 GS	350 850	0.480	1.058	2	0.079	S250 GD Z200	EN 10 346	GS / PG	Class 3 / CEI 61537
CB 400 HDG	350 853	0.514	1.132			S235 JR	EN 10 025	GC / HDG	Class 6 / CEI 61537
CB 400 316L	350 854	0.492	1.085			X2 Cr Ni Mo 17-12-2	EN 10 088-2	IN316L / SS316L	Class 9D / CEI 61537
CB 400 ZnMg-HR	350 866	0.480	1.058			S250 GD ZM	EN 10 346	ZnMg-HR	Class 8 / CEI 61537
CB 450 GS	350 895	0.947	2.088			S280 GD Z200	EN 10 346	GS / PG	Class 3 / CEI 61537
CB 450 HDG	350 893	1.035	2.282			S275 JR	EN 10 025	GC / HDG	Class 6 / CEI 61537
CB 450 316L	350 894	0.970	2.138			X2 Cr Ni Mo 17-12-2	EN 10 088-2	IN316L / SS316L	Class 9D / CEI 61537
CB 450 ZnMg-HR	550 896	0.947	2.088			S280 GD ZM	EN 10 346	ZnMg-HR	Class 8 / CEI 61537
CB 500 GS	350 860	1.017	2.237			S280 GD Z200	EN 10 346	GS / PG	Class 3 / CEI 61537
CB 500 HDG	350 863	1.119	2.467			S275 JR	EN 10 025	GC / HDG	Class 6 / CEI 61537
CB 500 316L	350 864	1.041	2.295	X2 Cr Ni Mo 17-12-2	EN 10 088-2	IN316L / SS316L	Class 9D / CEI 61537		
CB 500 ZnMg-HR	350 876	1.017	2.237	S280 GD ZM	EN 10 346	ZnMg-HR	Class 8 / CEI 61537		
CB 600 GS	350 870	1.124	2.478	2	0.079	S280 GD Z200	EN 10 346	GS / PG	Class 3 / CEI 61537
CB 600 HDG	350 873	1.236	2.725			S275 JR	EN 10 025	GC / HDG	Class 6 / CEI 61537
CB 600 316L	350 874	1.151	2.537			X2 Cr Ni Mo 17-12-2	EN 10 088-2	IN316L / SS316L	Class 9D / CEI 61537
CB 600 ZnMg-HR	350 806	1.124	2.478			S280 GD ZM	EN 10 346	ZnMg-HR	Class 8 / CEI 61537

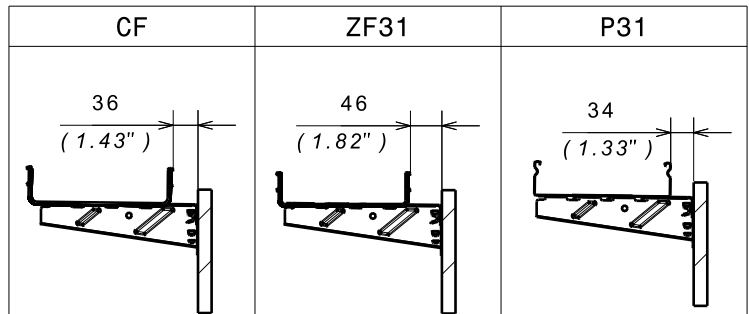
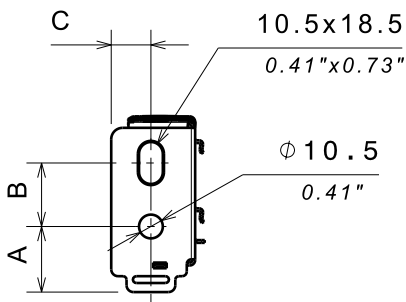
CONSOLE CB 50 à 600
CB COMPACT BRACKET 50 to 600

Reference(s) : 350 800/810/820/830/840/850/860/870/895
 350 803/813/823/833/843/853/863/873/893
 350 804/814/824/834/844/854/864/874/894/896
 350 806/816/826/846/856/866/876

2. DIMENSIONS (mm/inch)



* I = dimension griffes incluses pour CB 50 à 400 / Hooks included for CB 50 to 400

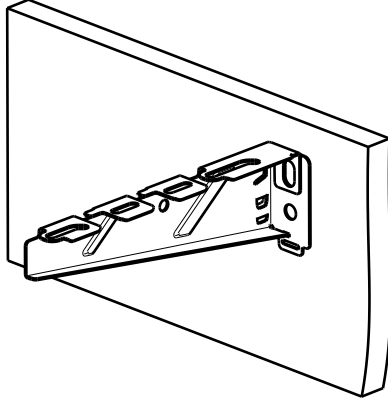


Designation	L : Longueur / Length (mm) (inch)		I : Largeur / Width (mm) (inch)		H : Hauteur / Height (mm) (inch)		A (mm) (inch)		B (mm) (inch)		C (mm) (inch)	
	(mm)	(inch)	(mm)	(inch)	(mm)	(inch)	(mm)	(inch)	(mm)	(inch)	(mm)	(inch)
CB 50	80.7	3.17	40.9	1.61	71.4	2.81	28.5	1.12	25	0.98	17.5	0.69
CB 100	130.7	5.14	40.9	1.61	71.4	2.81	28.5	1.12	25	0.98	17.5	0.69
CB 150	180.7	7.11	40.9	1.61	74.8	2.94	28.9	1.12	28	1.10	17.5	0.69
CB 200	230.7	9.08	40.9	1.61	74.8	2.94	28.9	1.12	28	1.10	17.5	0.69
CB 300	334.7	13.17	41.6	1.64	88.4	3.48	30.4	1.20	39	1.53	17.5	0.69
CB 350	384.7	15.13	41.6	1.64	102	4.01	30.4	1.20	39	1.53	17.5	0.69
CB 400	434.7	17.10	41.6	1.64	102	4.01	33	1.30	50	1.97	17.5	0.69
CB 450	484.7	190.83	37	5.39	136.3	1.46	41.5	1.63	69	2.72	17.5	0.69
CB 500	534.7	21.05	37	5.39	136.9	1.46	41.5	1.63	69	2.72	17.5	0.69
CB 600	637.7	24.99	37	5.39	136.9	1.46	41.5	1.63	69	2.72	17.5	0.69

CONSOLE CB 50 à 600 CB COMPACT BRACKET 50 to 600

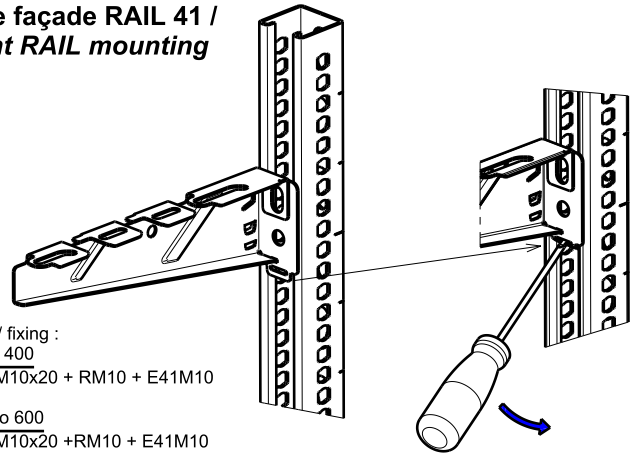
Reference(s) : 350 800/810/820/830/840/850/860/870/895
350 803/813/823/833/843/853/863/873/893
350 804/814/824/834/844/854/864/874/894/896
350 806/816/826/846/856/866/876

3. INSTALLATION / MOUNTING Pose murale / Wall mounting



Fixation / fixing :
CB 50 to 400
1x VHM10x20 + RM10
CB 450 to 600
2x VHM10x20 + RM10

pose façade RAIL 41 / Front RAIL mounting



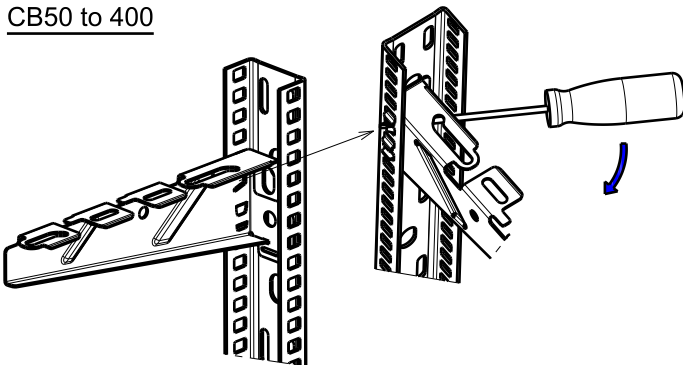
Fixation / fixing :
CB 50 to 400
1x VHM10x20 + RM10 + E41M10
8 Nm
CB 450 to 600
2x VHM10x20 + RM10 + E41M10
15 Nm

CPS (Charge Pratique de Sécurité) daN					SWL (Safe working load) daN			
CB 50	CB 100	CB 150	CB 200	CB 300	CB 400	CB 450	CB 500	CB 600
80	110	100	110	150	150	200	200	160

CPS (Charge Pratique de Sécurité) daN					SWL (Safe working load) daN			
CB 50	CB 100	CB 150	CB 200	CB 300	CB 400	CB 450	CB 500	CB 600
50	50	80	80	90	100	150	150	90

Pose RAIL EDF / RAIL EDF mounting Seulement pour GS / INOX - Only for PG/SS

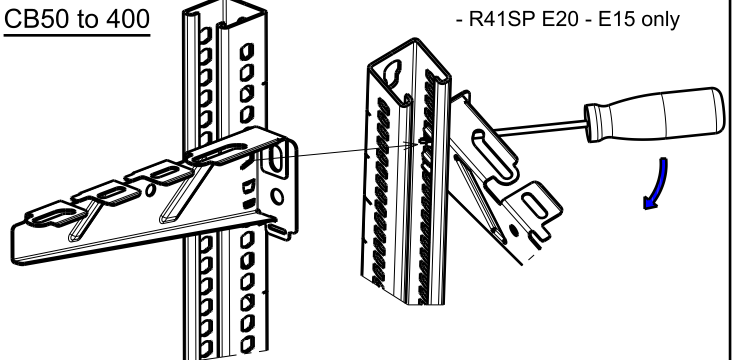
CB50 to 400



CPS (Charge Pratique de Sécurité) daN / SWL (Safe working load) daN					
CB 50	CB 100	CB 150	CB 200	CB 300	CB 400
/	/	/	/	/	/

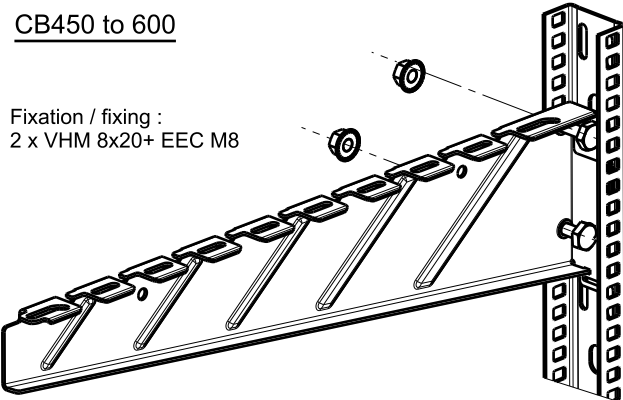
Pose coté RAIL 41 / Side RAIL 41 mounting Seulement pour GS / INOX - Only for PG/SS

CB50 to 400



CPS (Charge Pratique de Sécurité) daN / SWL (Safe working load) daN					
CB 50	CB 100	CB 150	CB 200	CB 300	CB 400
50	50	50	40	40	60

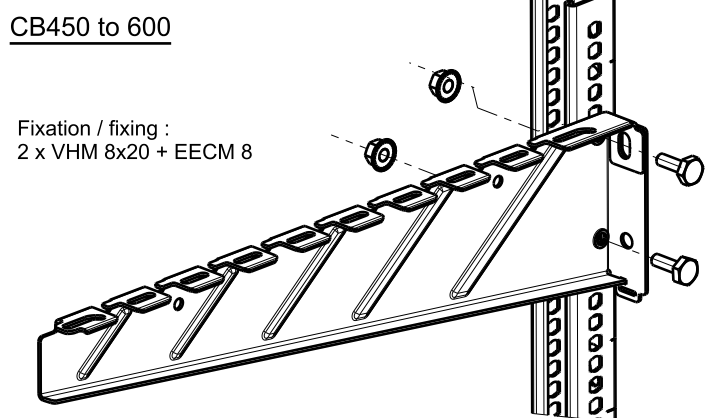
CB450 to 600



Fixation / fixing :
2 x VHM 8x20+ EEC M8

CPS (Charge Pratique de Sécurité) daN / SWL (Safe working load) daN		
CB 450	CB500	CB 600
/	/	/

CB450 to 600



Fixation / fixing :
2 x VHM 8x20 + EECM 8

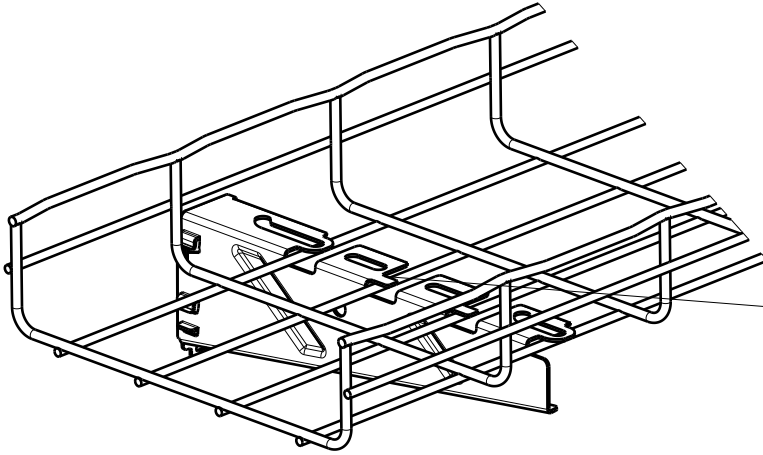
CPS (Charge Pratique de Sécurité) daN / SWL (Safe working load) daN		
CB 450	CB500	CB 600
120	120	110

CONSOLE CB 50 à 600
CB COMPACT BRACKET 50 to 600

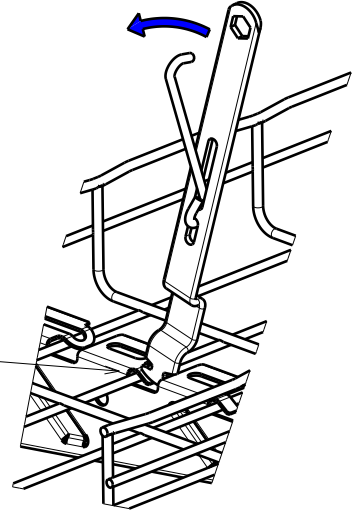
Reference(s) : 350 800/810/820/830/840/850/860/870/895
 350 803/813/823/833/843/853/863/873/893
 350 804/814/824/834/844/854/864/874/894/896
 350 806/816/826/846/856/866/876

INSTALLATION / MOUNTING

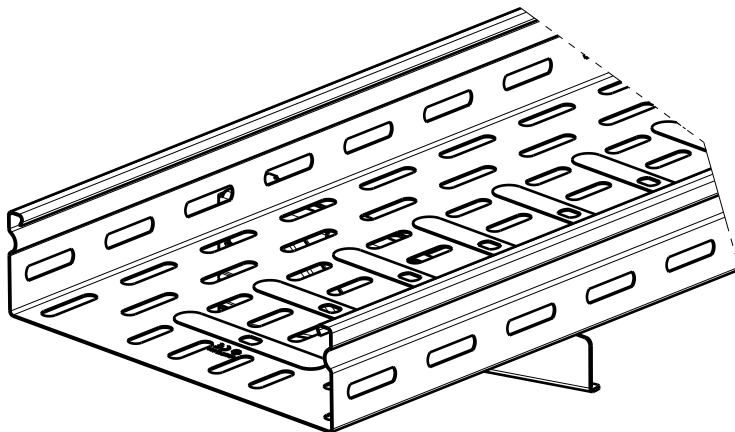
Montage chemin de câbles fil / *Wire mesh mounting*



Fixation / Locking



Montage chemin de câbles tôle / *Cable tray mounting*



Fixation / Locking

BFC



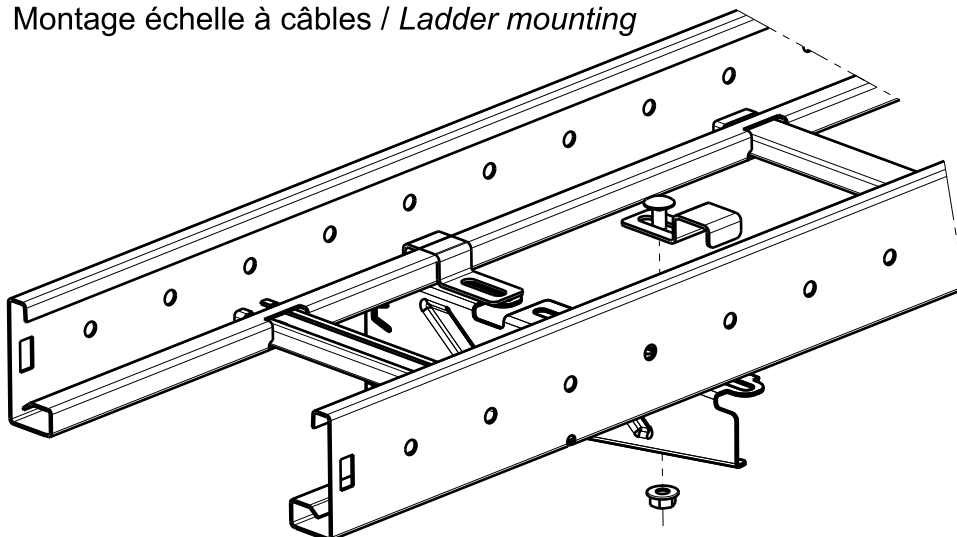
OU / OR

BTRCC 6x12



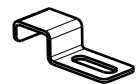
1 par 100mm / 1 per 100mm

Montage échelle à câbles / *Ladder mounting*



Fixation / Locking

2x GLOKSK



2x BTRCC 6x12

