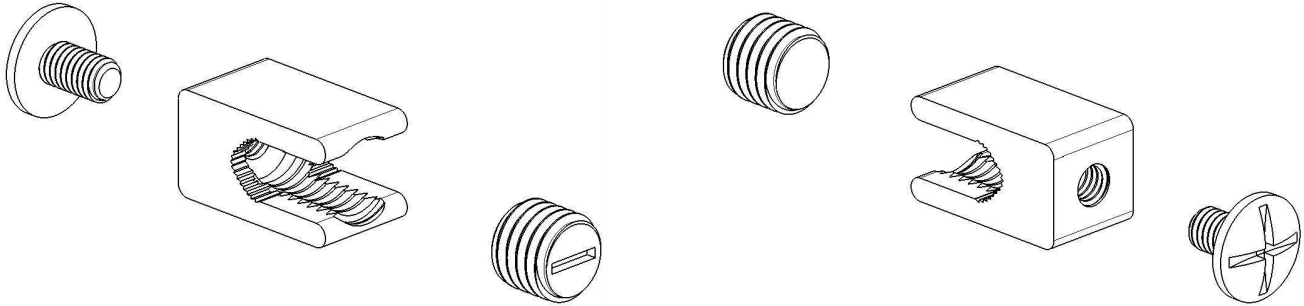


BAT 35

Reference(s) : 585 330



1 RANGE

Ref BAT 35:

Code		Matière Raw material	Norme Standard	Finition Coating	Class and Class Norm	Thread Norm	Masse Weight (KG)
585 330	slotted screw M12 →	STEEL	EN 10263-2	tin coated 8µm mini	4-8 ISO 898	ISO 5408	0,021/U
	screw M6 L10 →	STEEL	EN 10263-2	zinc electro plated (Fe/Zn12/A)	4-8 ISO 898	ISO 5408	
	connector →	EN AW-2011-T3 or EN AW-6060-T6	EN 754-2			ISO 5408	
Corrosion class : 3 – Equivalent EZ							

Dimensions in (mm/inch) :

