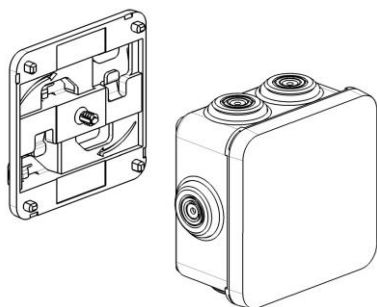
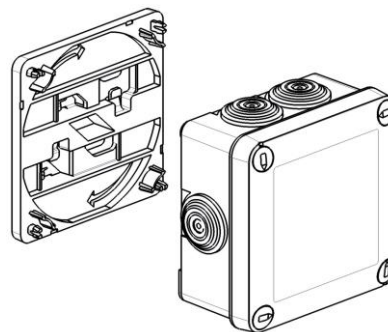


## KIT BP 80/105 FIL / IBP80/105 PLE XO 03/04

Reference(s) : 350 537/538



KIT 80 / PLE XO 03

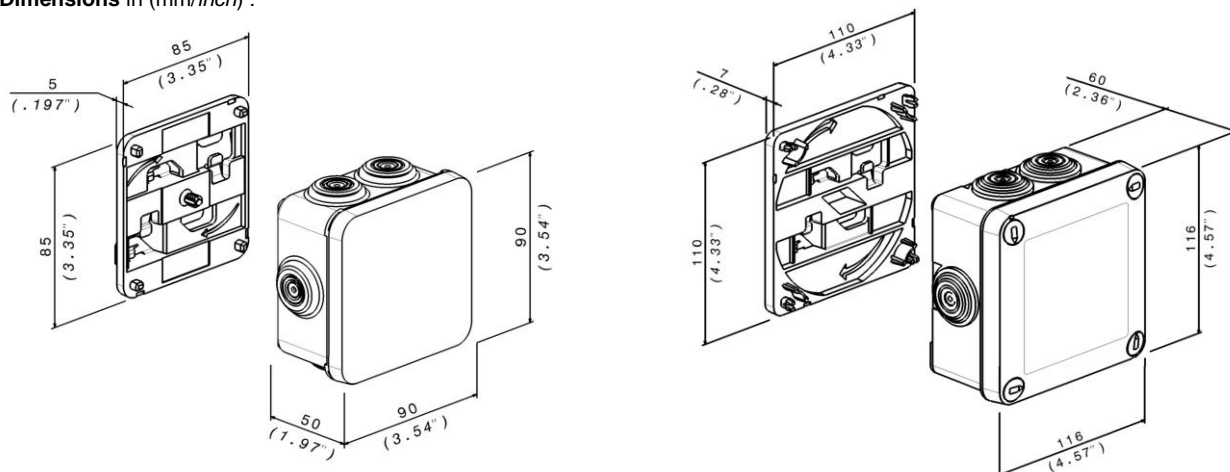


KIT 105 / PLE XO 04

### 1 RANGE

Ref	Code	Matière Raw material	Epaisseur Thickness (mm/Inch)	Masse Weight (KG)
350537	KIT BP 80 FIL/IBP80 - PLE XO 03	ABS RAL 7035	2.5 / 0.1 "	0,098
350538	KIT BP 105 FIL/IBP105 - PLE XO 04	ABS RAL 7035	2.5 / 0.1 "	0,191

### 2 Dimensions in (mm/inch) :



### 3 Installation

