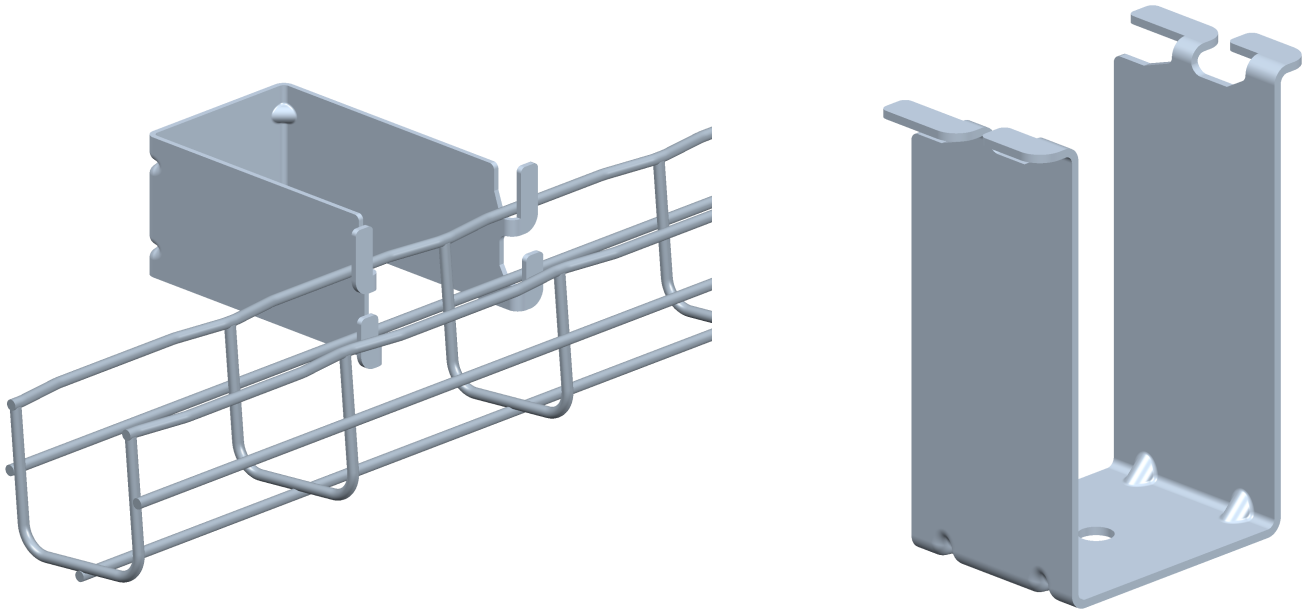


CM100/25 FBH50 - CONSOLE AGROALIMENTAIRE
CM100/25 FBH50 - FOOD BRACKET

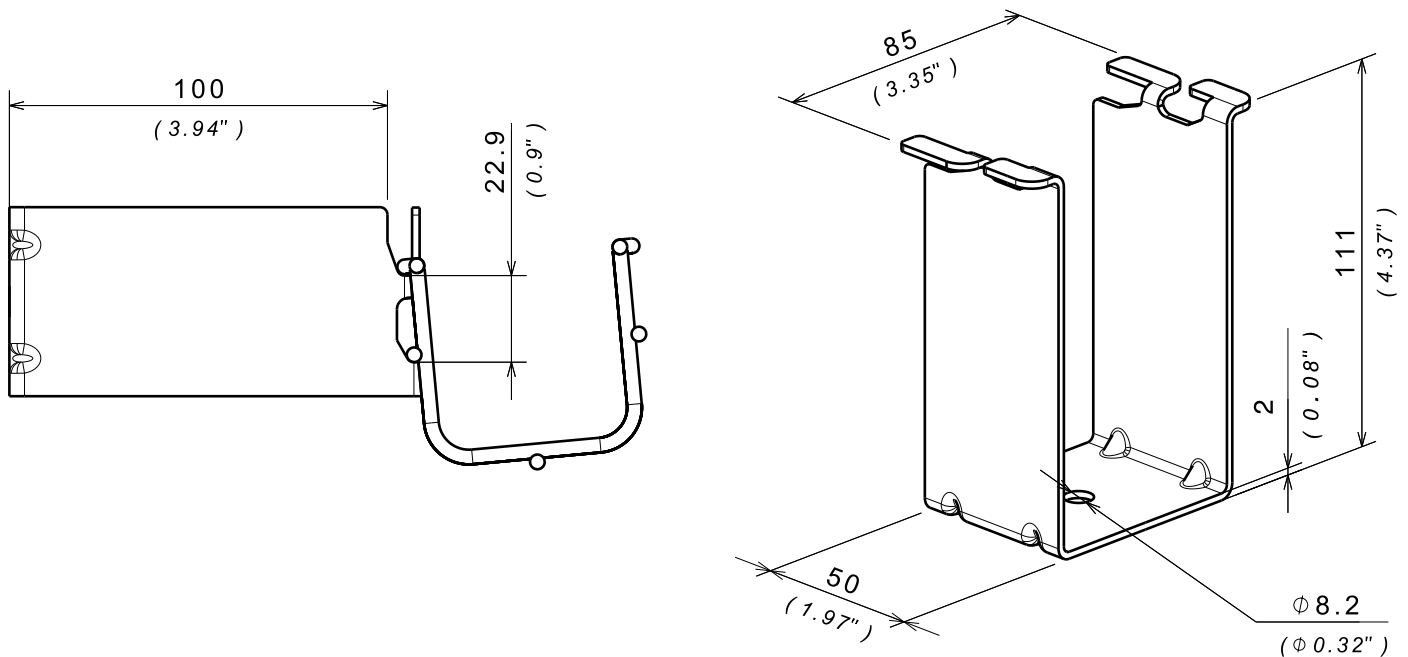
Reference(s) : 595 900 / 07



1. GAMME / RANGE

Designation	Code	Poids / Weight		Epaisseur / Thickness		Matière / Material	Norme / Standard	Finition / Coating	Classe de résistance contre la corrosion / Class for resistance against corrosion
		(Kg)	(lb)	(mm)	(inch)				
CM100/25 FBH50 ZnMg	595 907	0.220	0.485	2	0.079	DX51D ZM	EN 10 346	ZnMg	Class 8 / IEC 61537
CM100/25 FBH50 304L	595 900	0.225	0.496	2	0.079	X2 Cr Ni 18-9	EN 10 088-2	IN304L / SS304L	Class 9A / IEC 61537

2. DIMENSIONS (mm/inch)



CM100/25 FBH50 - CONSOLE AGROALIMENTAIRE
 CM100/25 FBH50 - FOOD BRACKET

Reference(s) : 595 900 / 07

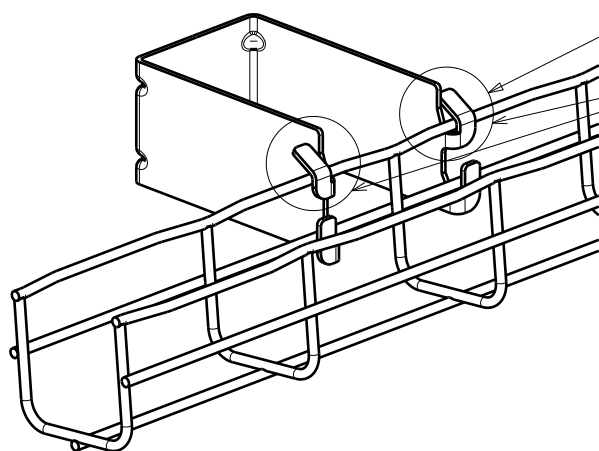
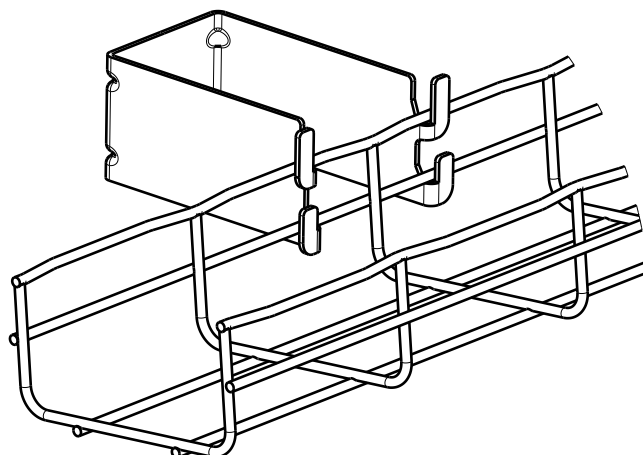
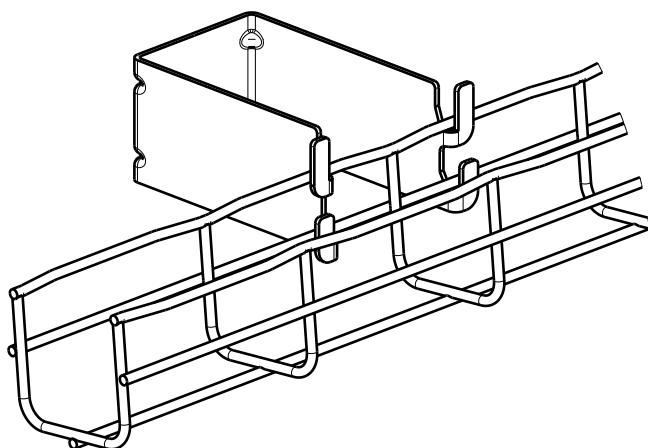
3. INSTALLATION / MOUNTING



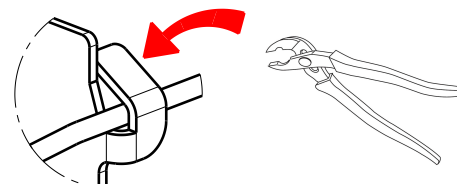
CF54/50



CF54/100



Verrouillage / Locking



5. RECOMMANDATION / RECOMMENDATION

portée / span (m / inch)		nombre de support minimum / support number minimum	
		CF 54/50	CF 54/100
1	39.4	1	2
1.5	59.1	1	2
2	78.7	2	2