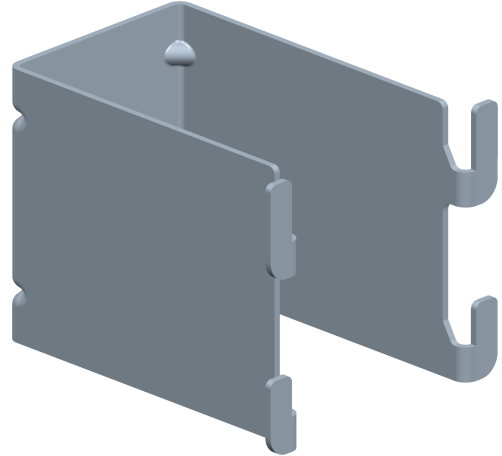
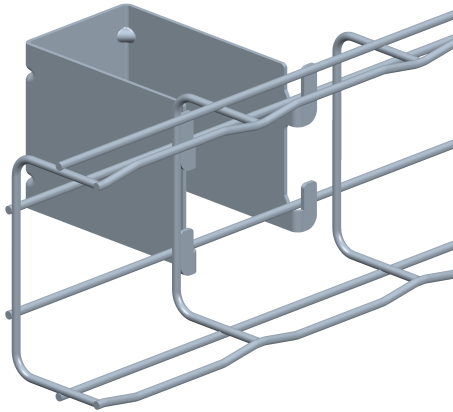
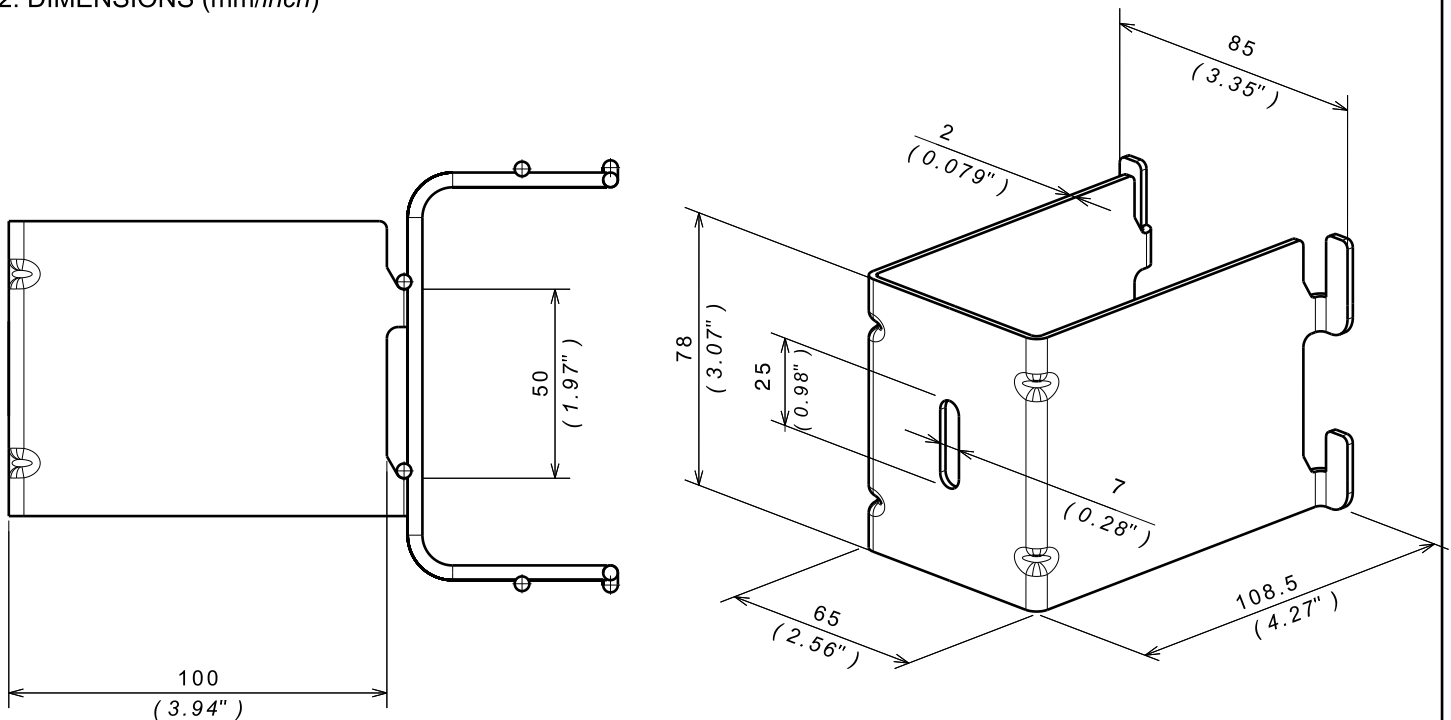


**CM100/50 CONSOLE MURALE
CM100/50 WALL BRACKET**

Reference(s) : 595 917


1. GAMME / RANGE

Designation	Code	Poids / Weight		Epaisseur / Thickness		Matière / Material	Norme / Standard	Finition / Coating	Classe de résistance
		(Kg)	(lb)	(mm)	(inch)				contre la corrosion/ Class for resistance against corrosion
CM100/50 ZnMg	595 917	0.333	0.734	2	0.079	DX51D ZM	EN 10 346	ZnMg	Class 8 / IEC 61537

2. DIMENSIONS (mm/inch)


**CM100/50 CONSOLE MURALE
CM100/50 WALL BRACKET**

Reference(s) : 595 917

3. INSTALLATION / MOUNTING


CF30 - CF54 - CF105



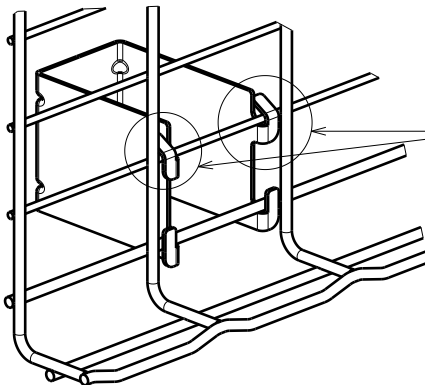
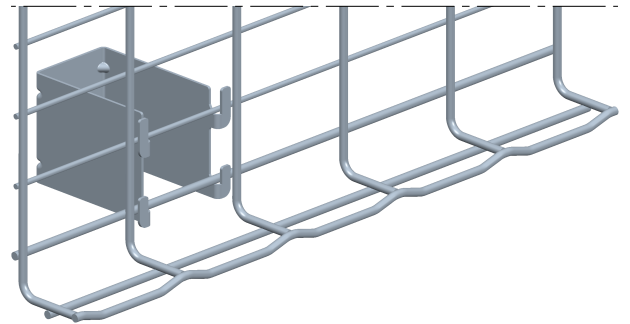
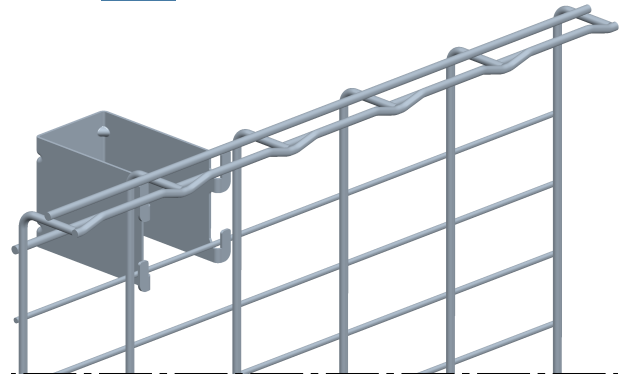
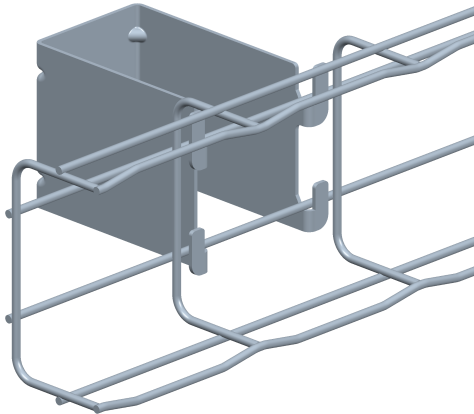
100 → 200

X1

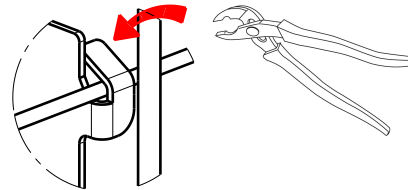


300 → 600

X2



Verrouillage / Locking


4. RECOMMANDATION / RECOMMENDATION

portée / span (m / inch)		nombre de support minimum / support number minimum						
		CF 54/50	CF 54/100	CF 54/200	CF 54/300	CF 54/400	CF 54/500	CF 54/600
1	39.4	1	1	1	2	2	2	2
1.5	59.1	1	1	1	2	2	2	2
2	78.7	1	1	1	2	2	3	3