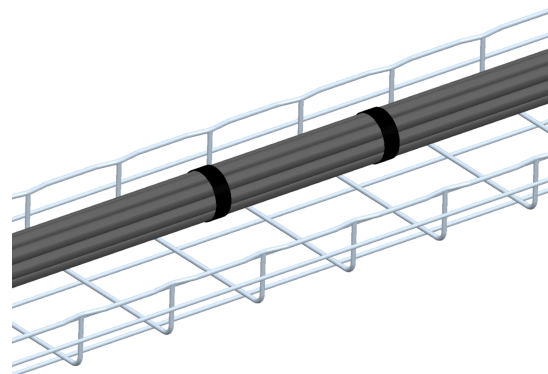


**CABLOGRIP  
 CABLES MAINTAINING**

Reference(s) : 559677



**1. RANGE**

Designation	Code	Poids / Weight (Kg) (lb)		Longueur / Length (mm) (inch)		Matière / Material	Norme / Standard	Finition / Coating	Norme / Standard
CABLOGRIP PLASTIC	559677	0.135	0.298	5 000	198,85"	PLASTIQUE/PLASTIC	-	-	-

**2. DIMENSIONS (mm/inch)**

