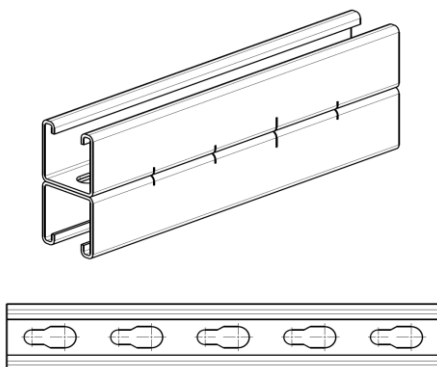


**R41D**

Reference(s) : 341 744 – 748 – 342 010 – 013 – 030 – 033 à 034



**1. RANGE**

Ref	Code	Matière Raw material	Norme Standard	Finition Coating	Norme standard	Epaisseur Thickness (mm / Inch)	L Length (mm / Inch)	Masse / Weight (KG / lb)
R41D3000 E20 S4	341748	X2CrNi 18-9	EN 10 088-2	INOX 304L	/	2 / 0,079"	3000 / 118	12,778 / 28,112
R41D3000 E20 S6	341744	X2CrNiMo 17-12-2	EN 10 088-2	INOX 316L	/	2 / 0,079"	3000 / 118	12,778 / 28,112
R41D6000 E20 S6	342034	X2CrNiMo 17-12-2	EN 10 088-2	INOX 316L	/	2 / 0,079"	6000 / 236	25,556 / 56,224
R41D3000 E25 GS	342010	S250GD Z275 MAC	EN 10346	GS	/	2,5 / 0,098"	3000 / 118	15,172 / 33,378
R41D3000 E25 GC	342013	S235 JR	EN 10025	GC	Class 6 according to CEI 61537	2,5 / 0,098"	3000 / 118	16,234 / 35,715
R41D6000 E25 GS	342030	S250GD Z275 MAC	EN 10346	GS	/	2,5 / 0,098"	6000 / 236	30,352 / 66,774
R41D6000 E25 GC	342033	S235 JR	EN 10025	GC	Class 6 according to CEI 61537	2,5 / 0,098"	6000 / 236	32,476 / 71,447

**2. Dimensions (mm/Inch)**

