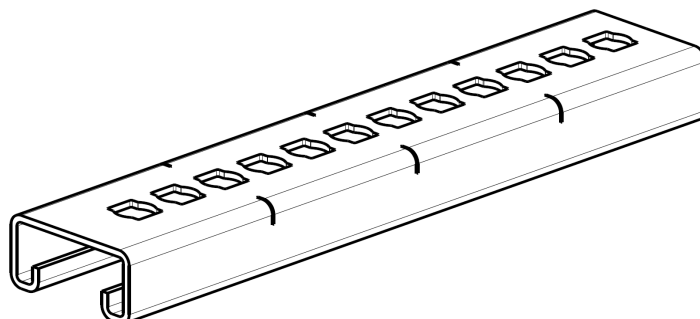


R21SP

Reference(s) : 348 049



1. RANGE

Ref	Code	Matière Raw material	Norme standard	Finition Coating	Norme standard	Epaisseur Thickness (mm/Inch)	L Lenght (mm)	Masse Weight (KG / lb)
R21SP E20 3000 GS	348 049	S250GD Z275 MAC	EN 10 346	GS	/	2 / 0,079"	3000 / 118	4,326 / 9,537

2. Dimensions (mm/Inch)

