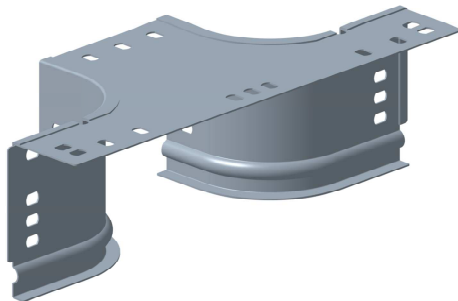


**OFS**  
 T-BRANCH OFS SHORT RADIUS GS

Reference(s) : 341 770



**1 RANGE**

Ref	Code	Matière Raw material	Norme Standard	Finition Coating	DETAIL 1 (mm/inch)	Epaisseur Thickness (mm/Inch)	Colisage Packing	Masse Weight (KG)
T-BRANCH OFS SHORT RADIUS 100/100 GS	341 770	DX51D Z200	EN 10 346	GS	Ø10xH7 / Ø 0,394xH0,276	1 / 0,039	10 par carton	0,471

Dimensions in (mm/Inch) :

