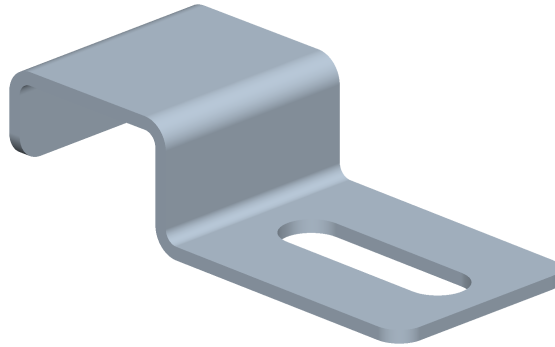
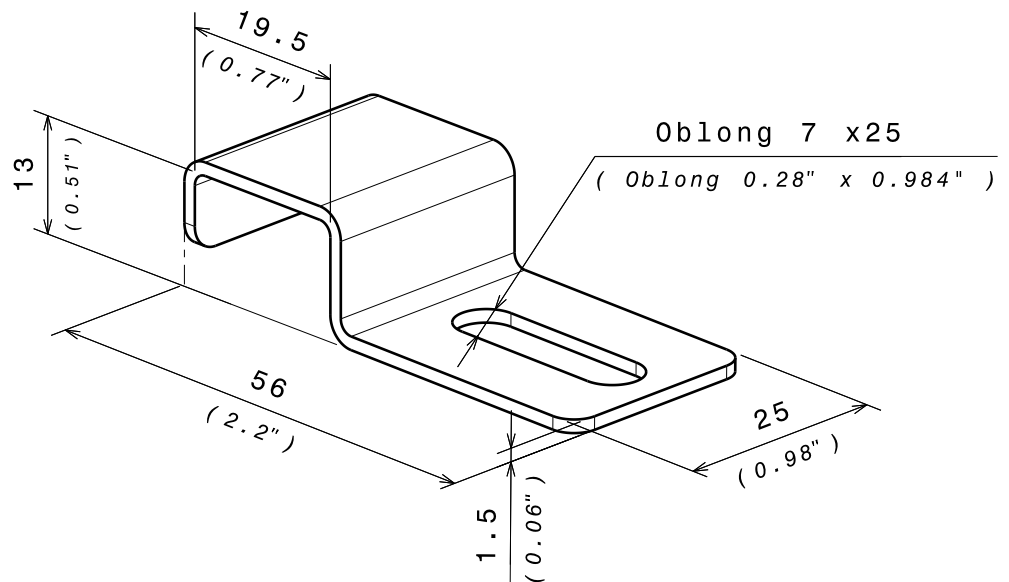


**CLAME GLOKSK ZnMg
GLOKSK CLAMP ZnMg**

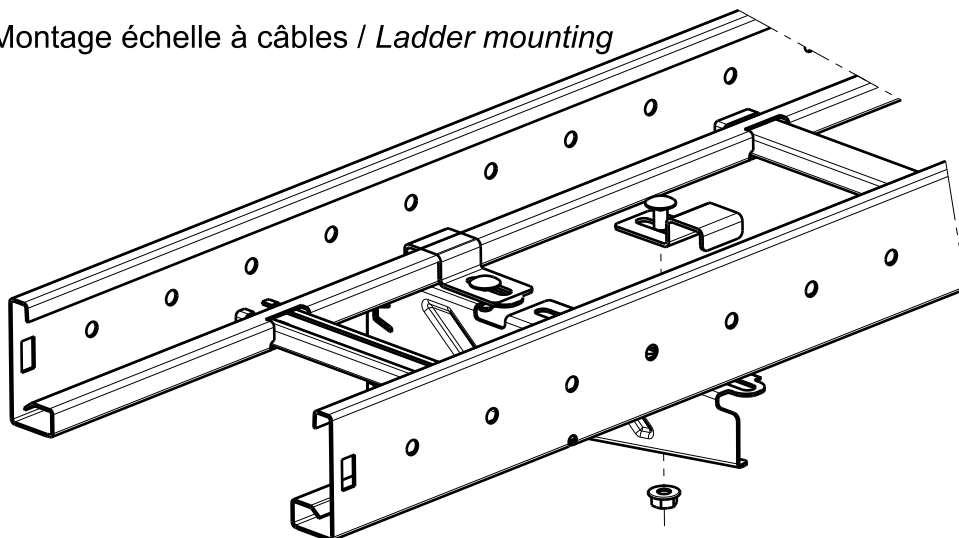
Reference(s) : 344 872


1. GAMME / RANGE

Designation	Code	Poids / Weight (Kg) (lb)		Epaisseur / Thickness (mm) (inch)		Matière / Material	Norme / Standard	Finition / Coating	Classe de résistance contre la corrosion / Class for resistance against corrosion
CLAMP GLOKSK ZnMg	344872	0.020	0.044	1.5	0.06	DX 51 D ZM	EN 10 346	ZnMg	Class 8 / CEI 61537

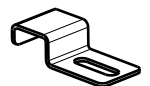
2. DIMENSIONS (mm/inch)

3. INSTALLATION / MOUNTING

Montage échelle à câbles / Ladder mounting



Fixation / locking

2x GLOKSK



2x BTRCC 6x12

