

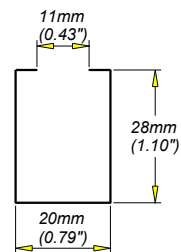
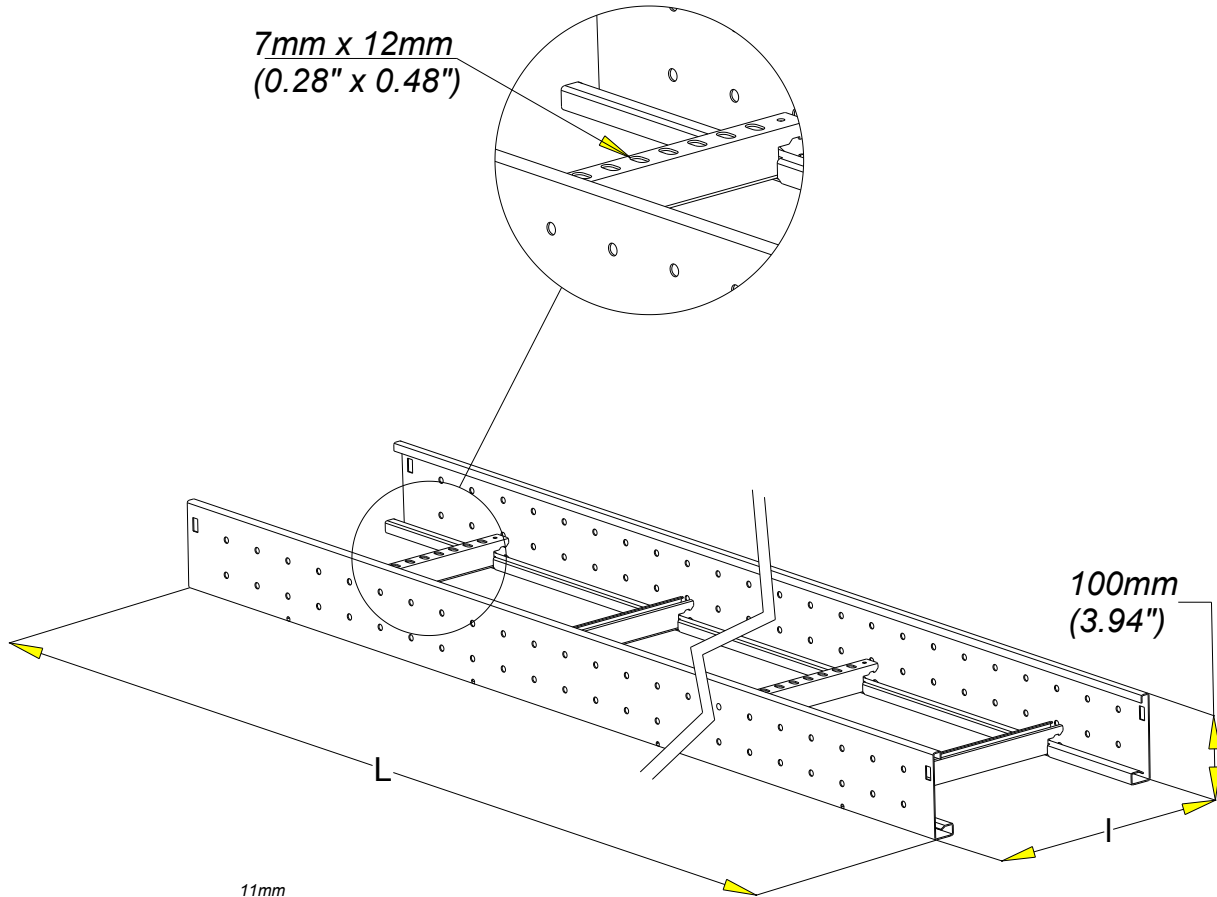
EAC GLO4M100
EAC GLO4M100

GC
HDG

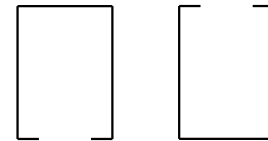
legrand | CABLE
MANAGEMENT

FT0643-3

11 13



Version moyenne
(Medium version)



Renforts alternés
(reinforcement alternated)

REF	CODE	L (mm)	L (inch)	I (mm)	I (inch)	Poids (kg)	Weight (lb)
GLO4M100/3/200	83 615 32	3000	118,2	200	7,88	11,484	25,43
GLO4M100/3/300	83 615 33	3000	118,2	300	11,82	11,652	25,80
GLO4M100/3/400	83 615 34	3000	118,2	400	15,76	12,121	26,84
GLO4M100/3/500	83 615 35	3000	118,2	500	19,70	12,920	28,61
GLO4M100/3/600	83 615 36	3000	118,2	600	23,64	13,450	29,78

NORMES /
STANDARD

MATIERE / MATERIAL
S 235 JR

EN 10 025

PROTECTION / COATING
GC / HDG

EN ISO 1461

Epaisseur / Thickness
1,25mm / 0.049"