

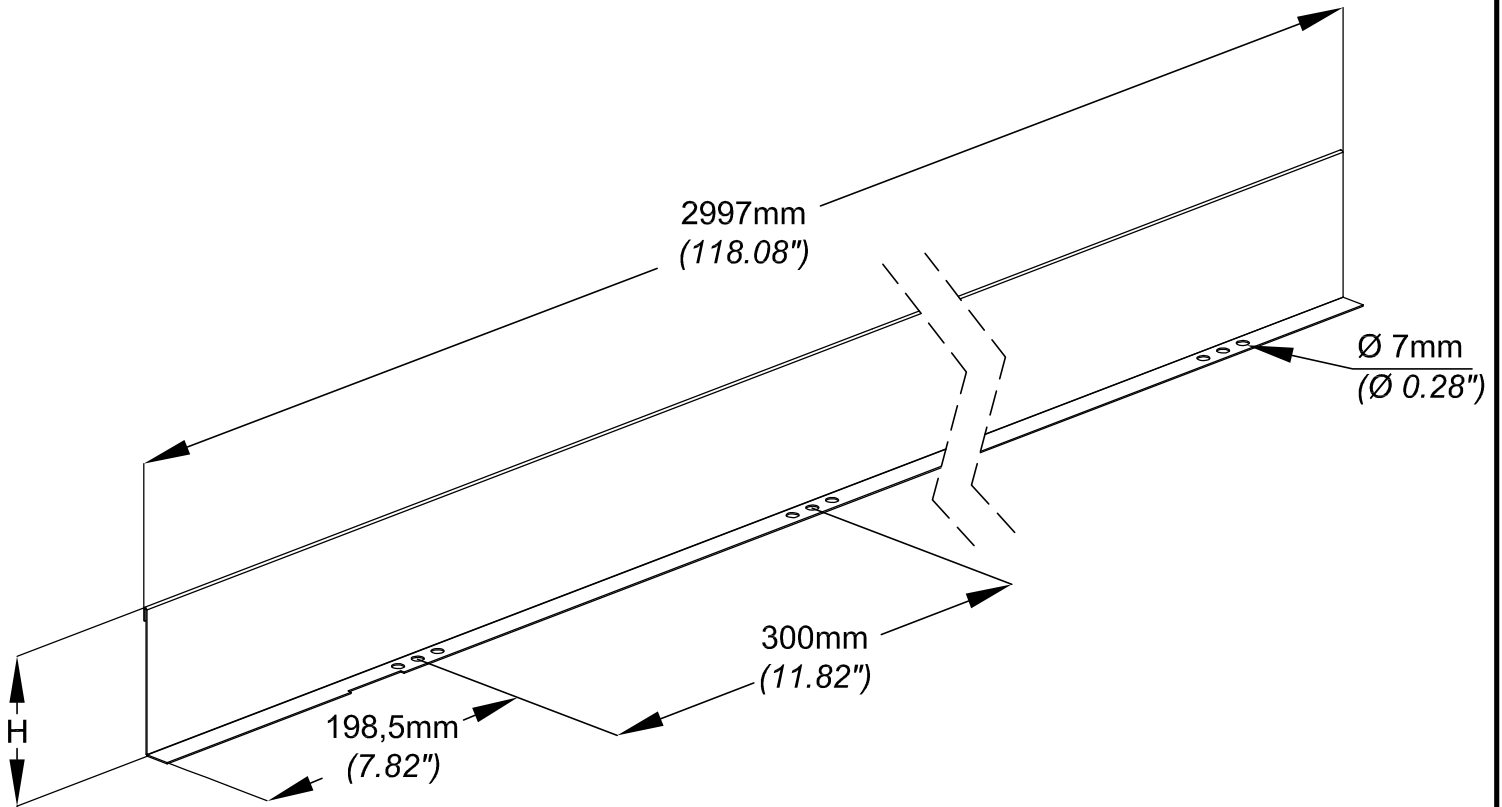
COT GLO 4
COT GLO 4

GC
HDG

CABLOFIL®
INNOVATORS IN CABLE MANAGEMENT

FT0633-3

10 09



NORMES / STANDARD

MATIERE / MATERIAL
S 235 JR FN KPN

EN 10 130

PROTECTION / COATING
Galva à chaud / HDG

NF EN ISO 1461

Epaisseur / Thickness
0,75mm / 0.030"

| REF | CODE | H _(mm) | H _(inch) | Poids _(kg) | Weight _(lb) |
|---------------|---------|-------------------|---------------------|-----------------------|------------------------|
| COT GLO4 M60 | 8362400 | 30 | 1.18 | 0.90 | 1.94 |
| COT GLO4 M100 | 8362500 | 70 | 2.75 | 1.68 | 3.62 |

Propriété exclusive de CABLOFIL, ne peut être ni copié, ni transmis à des tiers sans autorisation écrite.

Exclusive property of CABLOFIL shouldn't be reproduced or transmitted to any people without written authorization