

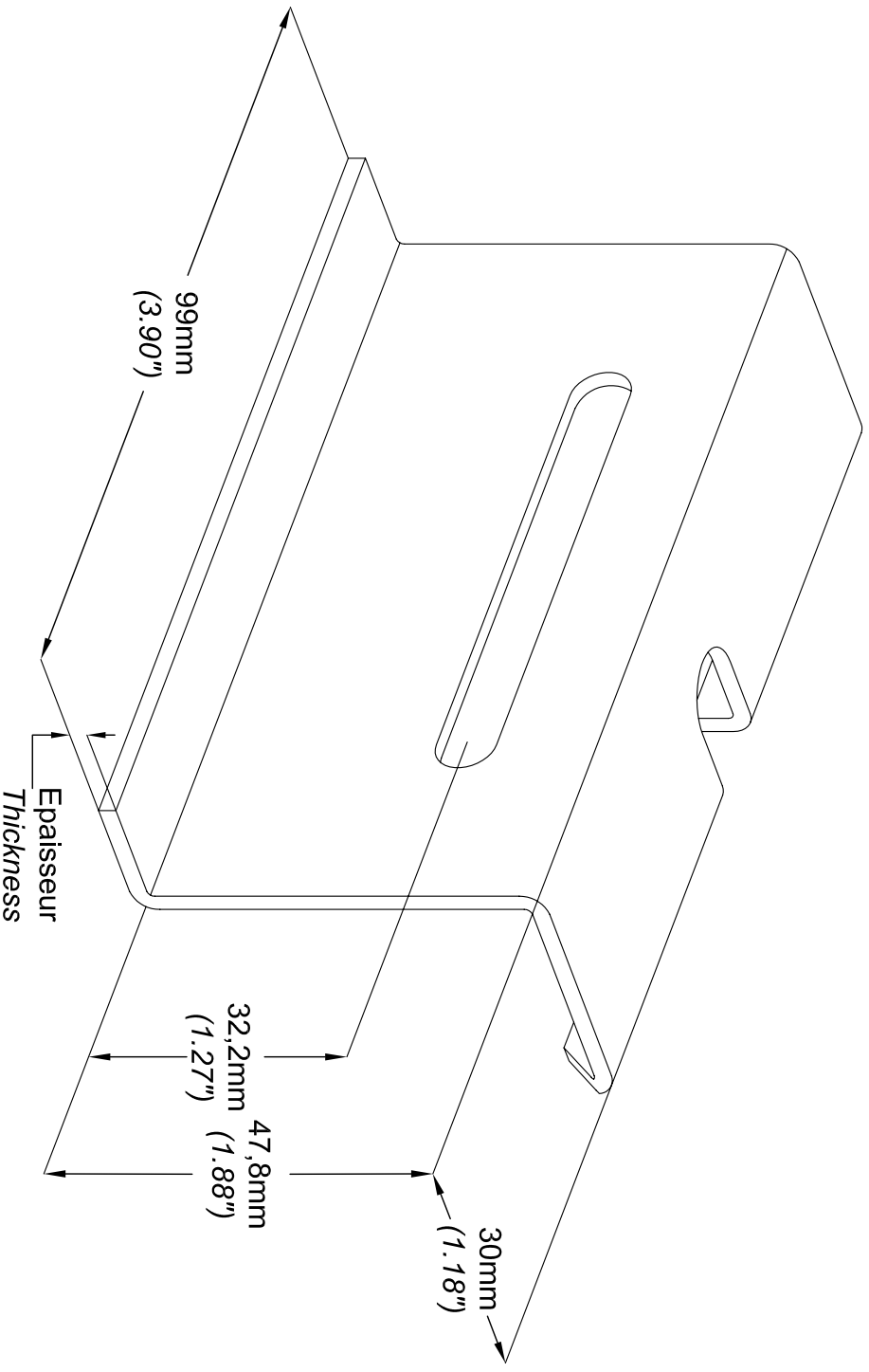
GLO4 AS
GLO4 AS

GS
HDG

CABLOFIL
INNOVATORS IN CABLE MANAGEMENT

FT0630-0

08 02



REF	CODE	Poids/kg	Weight/lb
GLO4AS GS	8318000	0,128	0,283

MATERIE / MATERIAL		NORMES / STANDARD
DX 51 D Z235 MAC	EN 10327	
PROTECTION / COATING		
GS / Pregeliv.	EN 10327	
Epaisseur / Thickness		
2mm / 0,079"		

Propriété exclusive de CABLOFIL, ne peut être ni copié, ni transmis à des tiers sans autorisation écrite.

Exclusive property of CABLOFIL shouldn't be reproduced or transmitted to any people without written authorization