

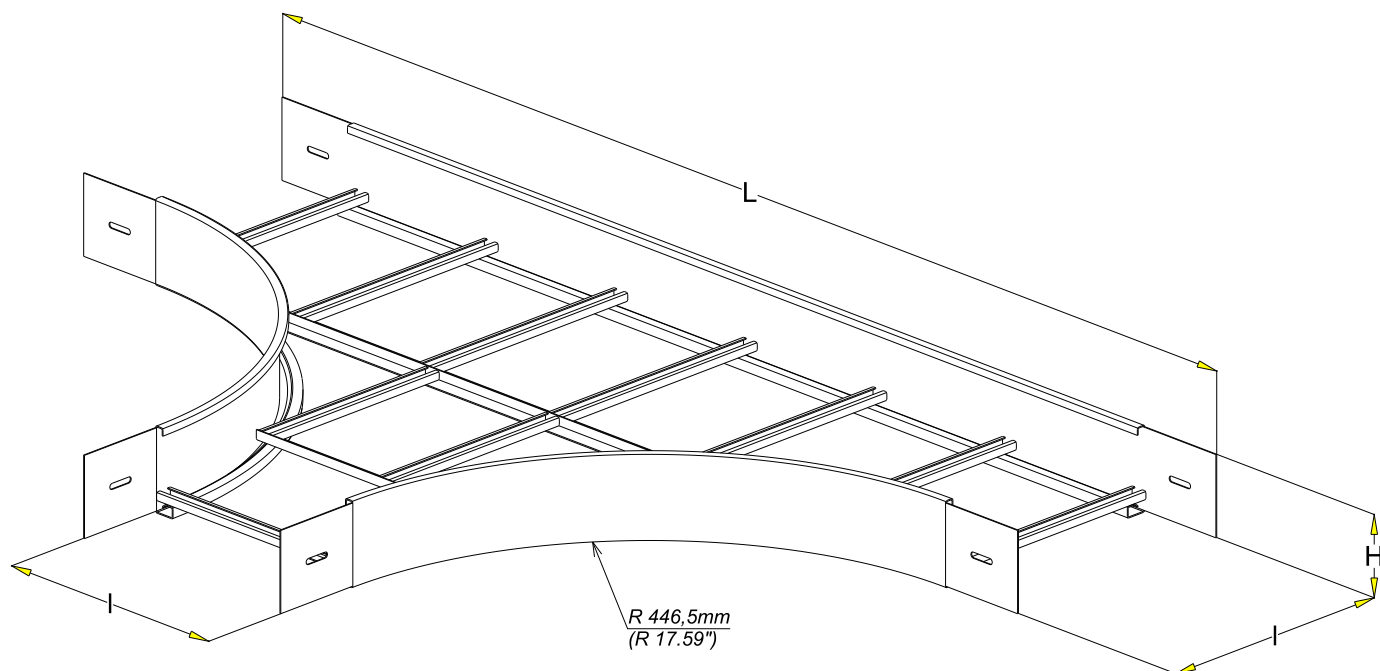
TS GLO4  
TS GLO4

GS  
PG

**legrand**® | CABLE  
MANAGEMENT

FT0628-0

11 13



REF	CODE	H <sub>(mm)</sub>	H <sub>(inch)</sub>	l <sub>(mm)</sub>	l <sub>(inch)</sub>	L <sub>(mm)</sub>	L <sub>(inch)</sub>	Poids <sub>(kg)</sub>	Weight <sub>(lb)</sub>
TS GLO4L60/200GS	8312132	60	2.36	200	7.88	1300	51.22	5,64	12.49
TS GLO4L60/300GS	8312133	60	2.36	300	11.82	1400	55.16	6,65	14.72
TS GLO4L60/400GS	8312134	60	2.36	400	15.76	1500	59.10	7,778	17.22
TS GLO4L60/500GS	8312135	60	2.36	500	19.70	1600	63.04	8,886	19.67
TS GLO4L60/600GS	8312136	60	2.36	600	23.64	1700	66.98	10,228	22.65
TS GLO4L100/200GS	8312232	100	3.94	200	7.88	1300	51.22	6,636	14.69
TS GLO4L100/300GS	8312233	100	3.94	300	11.82	1400	55.16	7,446	16.49
TS GLO4L100/400GS	8312234	100	3.94	400	15.76	1500	59.10	8,295	18.37
TS GLO4L100/500GS	8312235	100	3.94	500	19.70	1600	63.04	9,506	21.05
TS GLO4L100/600GS	8312236	100	3.94	600	23.64	1700	66.98	10,745	23.79
TS GLO4M100/200GS	8312532	100	3.94	200	7.88	1300	51.22	8,333	18.45
TS GLO4M100/300GS	8312533	100	3.94	300	11.82	1400	55.16	9,625	21.31
TS GLO4M100/400GS	8312534	100	3.94	400	15.76	1500	59.10	10,962	24.27
TS GLO4M100/500GS	8312535	100	3.94	500	19.70	1600	63.04	12,359	27.36
TS GLO4M100/600GS	8312536	100	3.94	600	23.64	1700	66.98	13,929	30.84

Material	Standard
DX 51 D Z 275 MAC	EN 10 346

Propriété exclusive de LEGRAND, ne peut être ni copié, ni transmis à des tiers sans autorisation écrite.

Exclusive property of LEGRAND shouldn't be reproduced or transmitted to any people without written authorization