

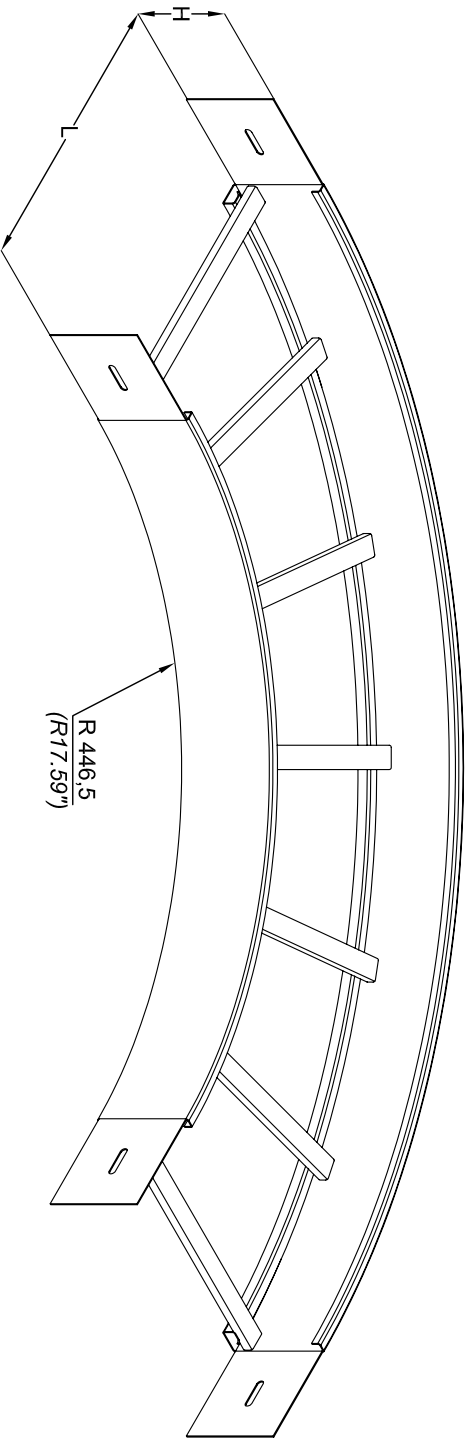
IB GLO4
/B GLO4

GS
PREGALV.

CABLOFIL®
INNOVATORS IN CABLE MANAGEMENT

FT0627-0

08 05



REF	CODE	H _(mm)	H _(inch)	L _(mm)	L _(inch)	Poids _(kg)	Weight _(lb)
IB GL04L60/200GS	8312112	60	2.36	200	7.88	2.714	6.009
IB GL04L60/300GS	8312113	60	2.36	300	11.82	3.341	7.397
IB GL04L60/400GS	8312114	60	2.36	400	15.76	3.931	8.703
IB GL04L60/500GS	8312115	60	2.36	500	19.70	5.973	13.218
IB GL04L60/600GS	8312116	60	2.36	600	23.64	6.881	15.233
IB GL04L100/200GS	8312212	100	3.94	200	7.88	3.291	7.286
IB GL04L100/300GS	8312213	100	3.94	300	11.82	3.776	8.361
IB GL04L100/400GS	8312214	100	3.94	400	15.76	4.249	9.408
IB GL04L100/500GS	8312215	100	3.94	500	19.70	5.405	11.967
IB GL04L100/600GS	8312216	100	3.94	600	23.64	6.561	14.524
IB GL04M100/200GS	8312512	100	3.94	200	7.88	3.888	8.608
IB GL04M100/300GS	8312513	100	3.94	300	11.82	4.752	10.521
IB GL04M100/400GS	8312514	100	3.94	400	15.76	5.808	12.859
IB GL04M100/500GS	8312515	100	3.94	500	19.70	7.232	16.008
IB GL04M100/600GS	8312516	100	3.94	600	23.64	8.532	18.892

NORMES / STANDARD

MATIERE / MATERIAL	
DX 51 D Z235 MAC	EN 10327
PROTECTION / COATING	
GS / Pregalv.	EN 10327

Propriété exclusive de CABLOFIL, ne peut être ni copié, ni transmis à des tiers sans autorisation écrite.

Exclusive property of CABLOFIL shouldn't be reproduced or transmitted to any people without written authorization