

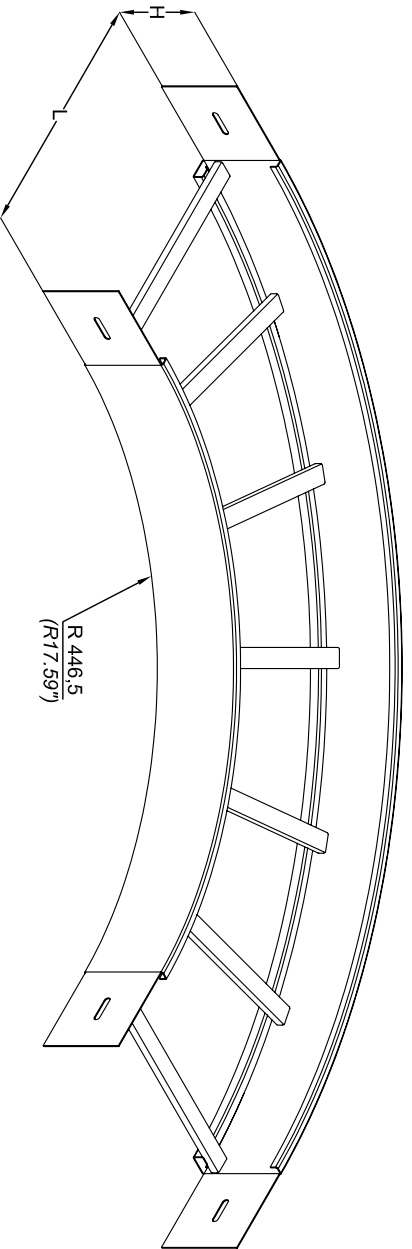
IB GLO 4
/IB GLO 4

GC
HDG

CABLOFIL
INNOVATORS IN CABLE MANAGEMENT

FT0627-3

08 05



REF	CODE	H _(mm)	H _(inch)	L _(mm)	L _(inch)	Poids _(kg)	Weight _(lb)
IB_GLO4M60/200GC	8362412	60	2.36	200	7.88	2.81	6.199
IB_GLO4M60/300GC	8362413	60	2.36	300	11.82	3.35	7.417
IB_GLO4M60/400GC	8362414	60	2.36	400	15.76	4.17	9.233
IB_GLO4M60/500GC	8362415	60	2.36	500	19.70	5.97	13.218
IB_GLO4M60/600GC	8362416	60	2.36	600	23.64	6.88	15.233
IB_GLO4M100/200GC	8362512	100	3.94	200	7.88	3.89	8.608
IB_GLO4M100/300GC	8362513	100	3.94	300	11.82	4.75	10.521
IB_GLO4M100/400GC	8362514	100	3.94	400	15.76	5.81	12.859
IB_GLO4M100/500GC	8362515	100	3.94	500	19.70	7.23	16.008
IB_GLO4M100/600GC	8362516	100	3.94	600	23.64	8.53	18.892

MATIERE / MATERIA	NORMES / STANDARD
S235 JR FN KPN	EN 10 130
PROTECTION / COATING	
Galva à chaud / HDG	NF EN ISO 1461

Propriété exclusive de CABLOFIL, ne peut être ni copié, ni transmis à des tiers sans autorisation écrite.

Exclusive property of CABLOFIL shouldn't be reproduced or transmitted to any people without written authorization