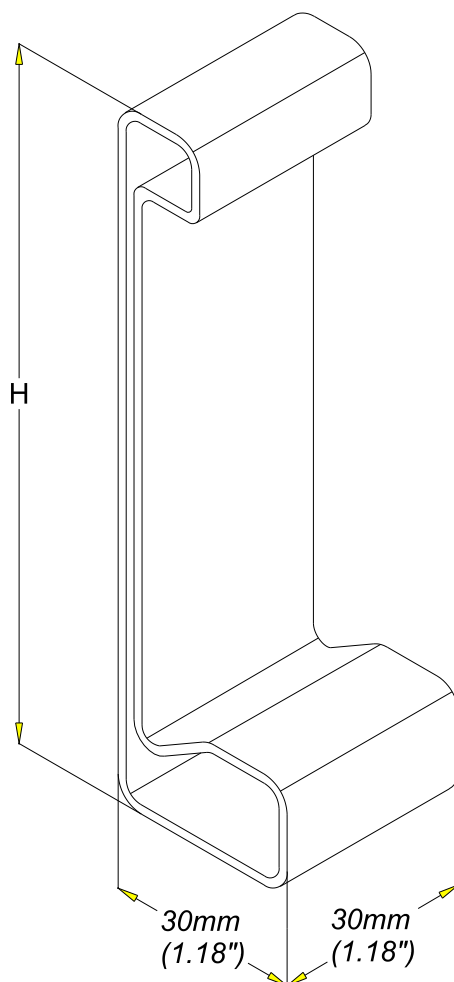


EMBOUT DE PROTECTION EAC GLO4
EAC GLO4 END CAPS

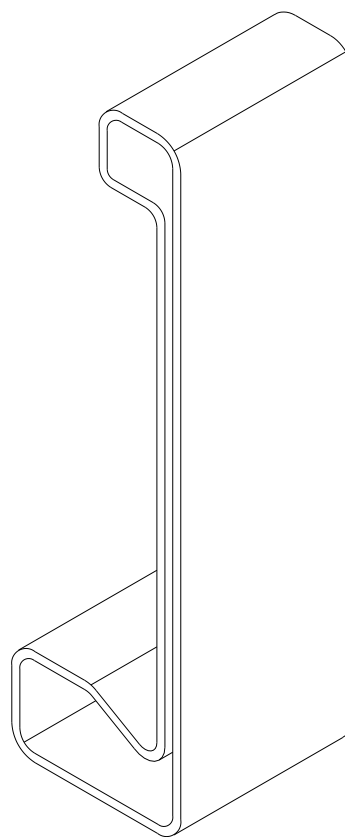
FT0624-5

03 17



Embout gauche
Left end caps

Embout droit
Right end caps



REF	CODE	POIDS / WEIGHT		H	
		(Kg/lb)	(lb/oz)	(mm)	(inch)
EPGLO4 H60	8 302 110	0,012	0.027	60	2.36
EPGLO4 H100	8 302 210	0,017	0.037	100	3.94

MATIERE / MATERIAL	PVC
--------------------	-----