

ECHELLE EDF 3/2000 EDF RISER

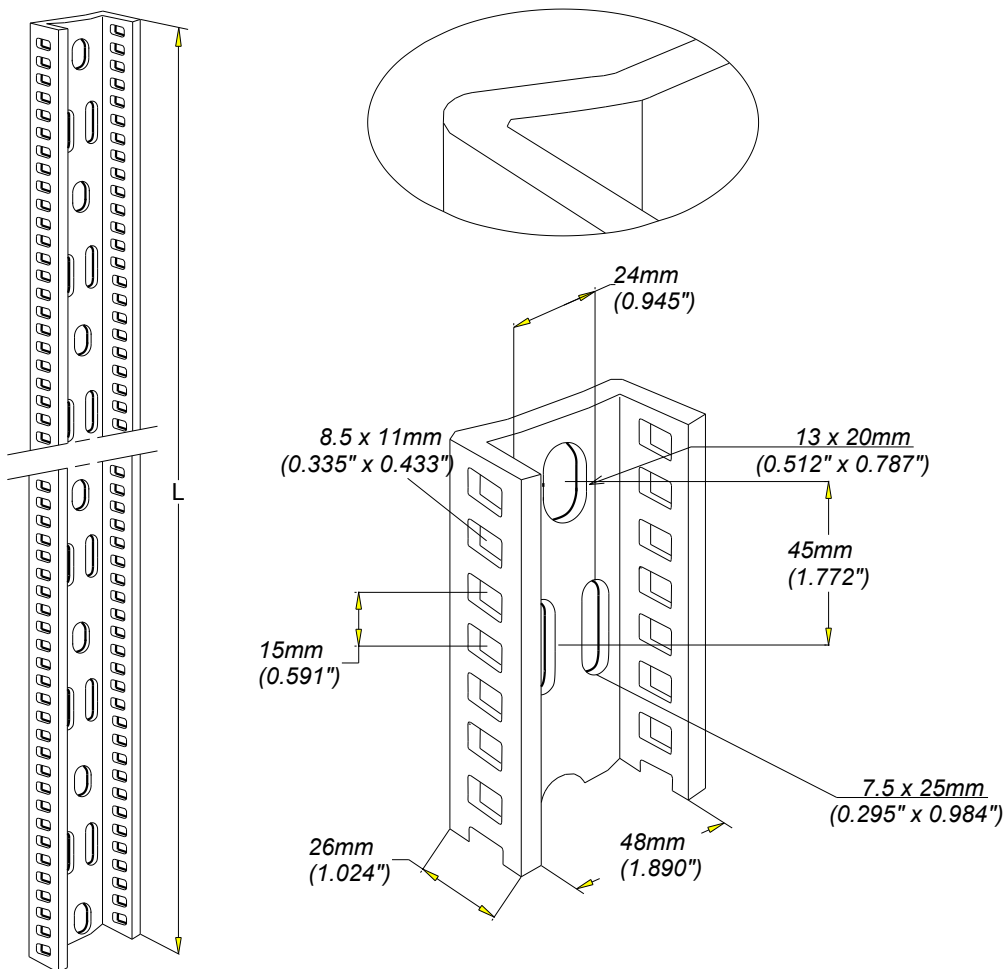
GS
PG



CABLE
MANAGEMENT

FT0617-0

11 13



Material	Standard
DX 51 D Z 275 MAC	EN 10 346

REF	CODE	POIDS (Kg/m)	WEIGHT (lb/ft)	L (mm)	L (inch)
EDF3/2000	561 030	2.310	5.082	1980	77.95

EPAISSEUR / THICKNESS
3 (0.12")