

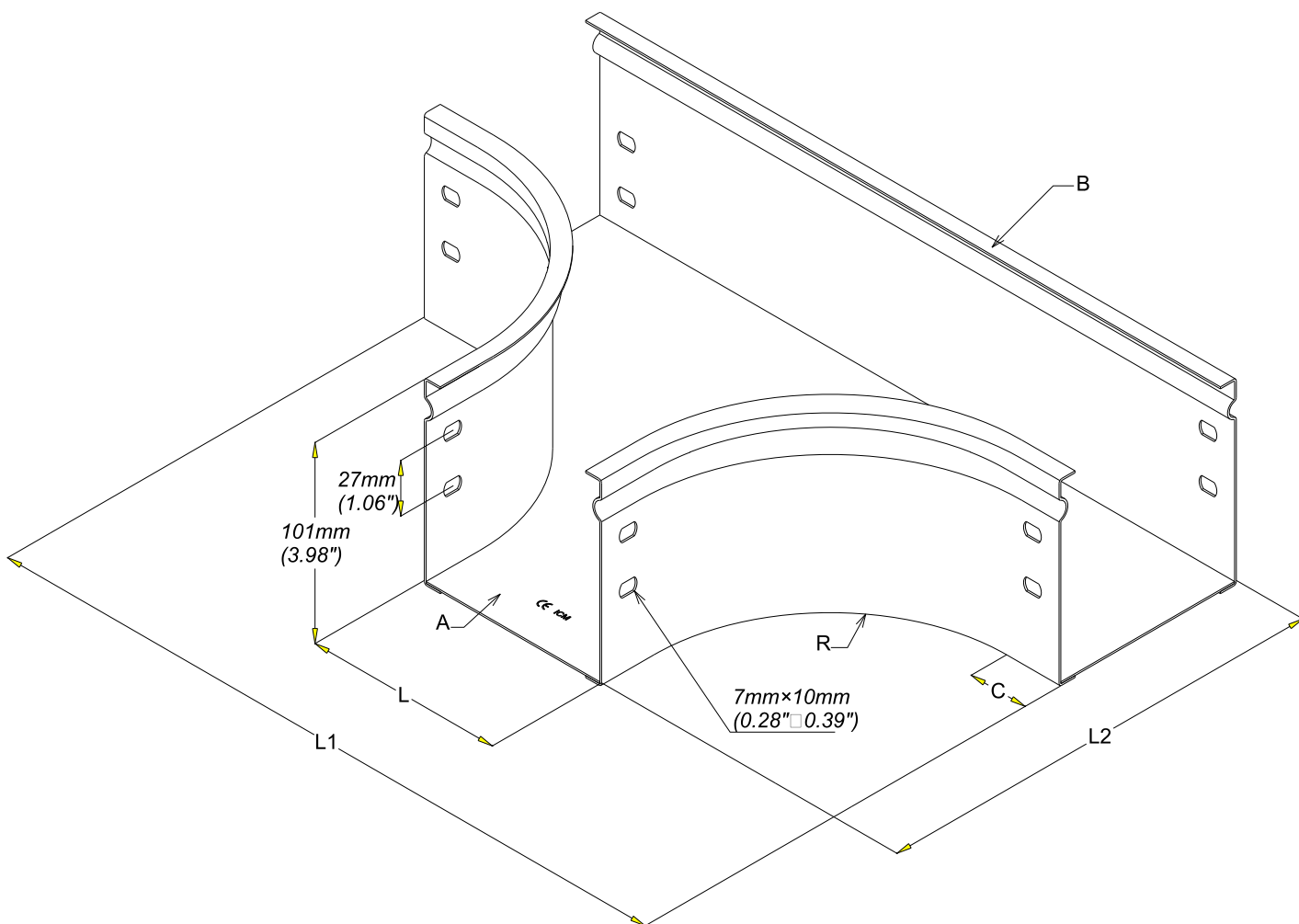
TE P31 T H100 100 à 600  
T-PIECE P31 100x100 to 600

GS  
PG

**legrand** | CABLE  
MANAGEMENT

FT0605-0

10 16



REF	CODE	L /L		A /A		B /B		C /C		R /R		L1 /L1		L2 /L2	
		(mm)	(inch)	(mm)	(inch)	(mm)	(inch)	(mm)	(inch)	(mm)	(inch)	(mm)	(inch)	(mm)	(inch)
P31 T 100x100	341 119	100	(3.94")	0.8	(0.032")	1	(0.039")	30	(1.18")	100	(3.94")	358	(14.11")	229	(9.02")
P31 T 100x150	341 120	150	(5.91")	0.8	(0.032")	1	(0.039")	30	(1.18")	100	(3.94")	408	(16.08")	279	(10.99")
P31 T 100x200	341 121	200	(7.87")	0.8	(0.032")	1	(0.039")	30	(1.18")	100	(3.94")	458	(18.05")	329	(12.96")
P31 T 100x300	341 122	300	(11.81")	1	(0.039")	1	(0.039")	30	(1.18")	100	(3.94")	558	(21.99")	429	(16.90")
P31 T 100x400	341 123	400	(15.75")	1	(0.039")	1	(0.039")	50	(1.97")	150	(5.91")	798	(31.44")	599	(23.60")
P31 T 100x500	341 124	500	(19.69")	1	(0.039")	1	(0.039")	50	(1.97")	150	(5.91")	898	(35.38")	699	(27.54")
P31 T 100x600	341 008	600	(23.62")	1	(0.039")	1	(0.039")	50	(1.97")	150	(5.91")	998	(39.29")	799	(31.46")

<b>Material</b>	<b>Standard</b>
DX 51 D Z 200 MAC	EN 10 346

Propriété exclusive de LEGRAND, ne peut être ni copié, ni transmis à des tiers sans autorisation écrite.

Exclusive property of LEGRAND shouldn't be reproduced or transmitted to any people without written authorization