

COUDE 90 ° P31 FB H100 100 à 600  
 FLAT BEND P31 100x100 to 600

GS  
 PG

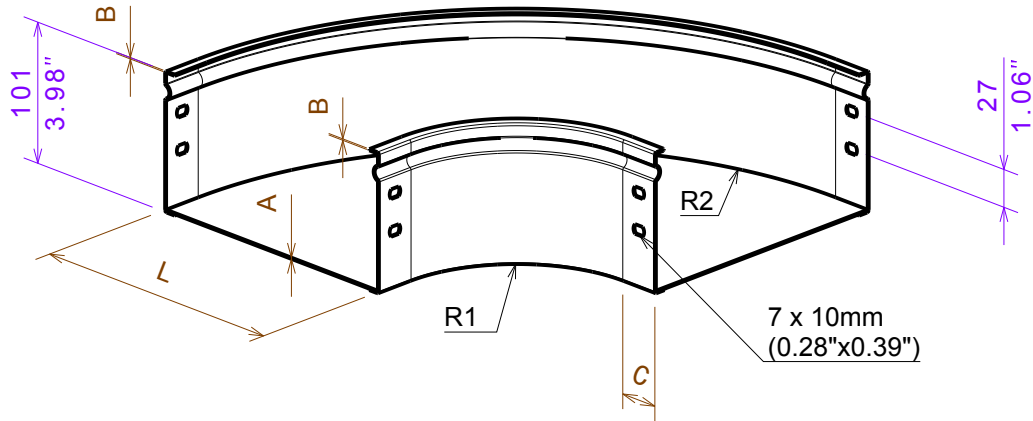


CABLE  
 MANAGEMENT

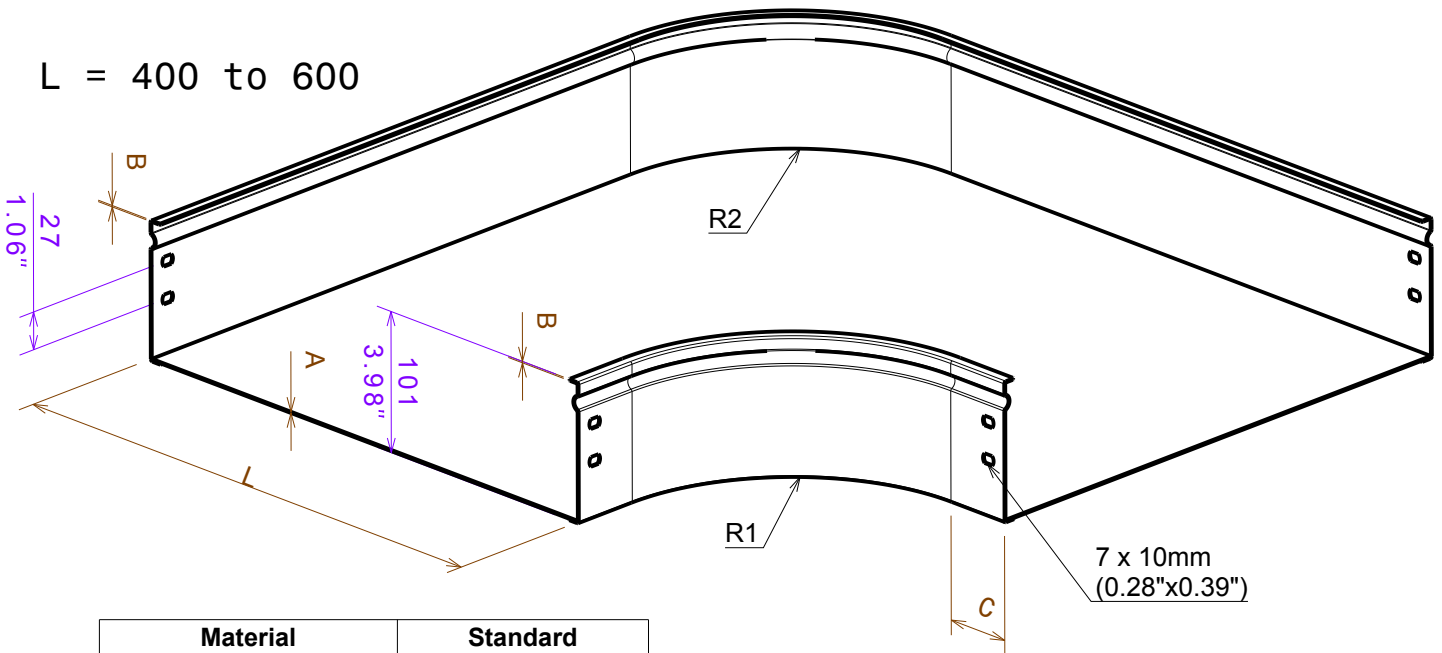
FT0603-0

10 16

L = 50 to 300



L = 400 to 600



<b>Material</b>	<b>Standard</b>
DX 51 D Z 200 MAC	EN 10 346

REF	CODE	L / L	A / A	B / B	C / C	R 1 / R 1	R 2 / R 2
		(mm) (inch)	(mm) (inch)	(mm) (inch)	(mm) (inch)	(mm) (inch)	(mm) (inch)
P31 FB 100x100	340 930	100 (3.94")	0.8 (0.032")	1 (0.039")	30 (1.18")	100 (3.94")	200 (3.94")
P31 FB 100x150	340 931	150 (5.91")	0.8 (0.032")	1 (0.039")	30 (1.18")	100 (3.94")	250 (3.94")
P31 FB 100x200	340 932	200 (5.91")	0.8 (0.032")	1 (0.039")	30 (1.18")	100 (3.94")	300 (3.94")
P31 FB 100x300	340 933	300 (7.87")	1 (0.039")	1 (0.039")	30 (1.18")	100 (3.94")	400 (3.94")
P31 FB 100x400	340 934	400 (11.81")	1 (0.039")	1 (0.039")	50 (1.97")	150 (5.91")	150 (5.91")
P31 FB 100x500	340 935	500 (19.69")	1 (0.039")	1 (0.039")	50 (1.97")	150 (5.91")	150 (5.91")
P31 FB 100x600	341 936	600 (23.62")	1 (0.039")	1 (0.039")	50 (1.97")	150 (5.91")	150 (5.91")

Propriété exclusive de LEGRAND, ne peut être ni copié, ni transmis à des tiers sans autorisation écrite.

Exclusive property of LEGRAND shouldn't be reproduced or transmitted to any people without written authorization