

TE P31 T H75 75 à 400  
T- piece P31 75x75 to 400

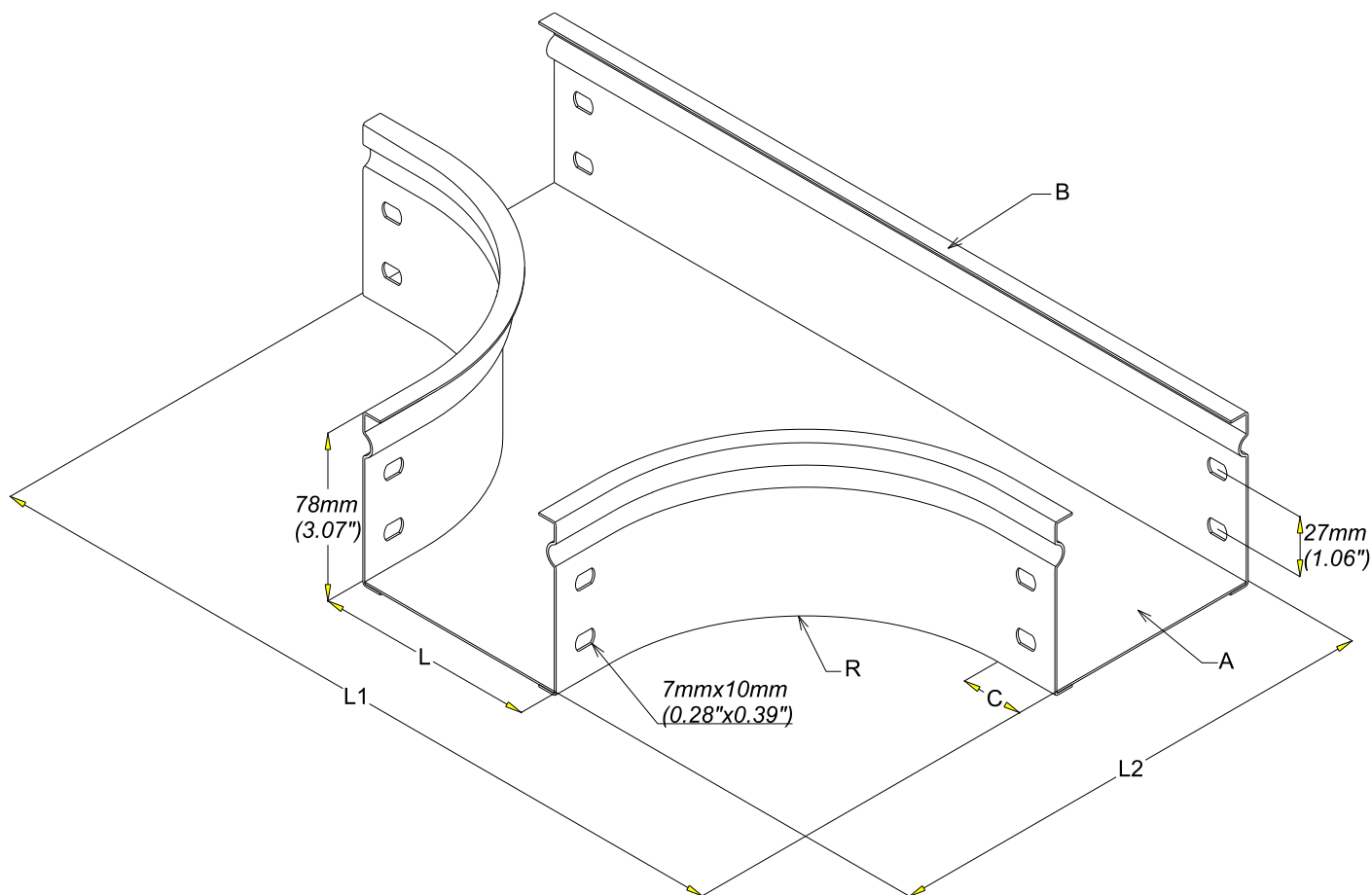
INOX 304L  
SS304L

**legrand** | CABLE  
MANAGEMENT

FT0598-8

04-16

P31 TE H75 L75-400



REF	CODE	L / L <sub>(mm)</sub> / L <sub>(inch)</sub>	A / A <sub>(mm)</sub> / A <sub>(inch)</sub>	B / B <sub>(mm)</sub> / B <sub>(inch)</sub>	C / C <sub>(mm)</sub> / C <sub>(inch)</sub>	R / R <sub>(mm)</sub> / R <sub>(inch)</sub>	L1 / L1 <sub>(mm)</sub> / L1 <sub>(inch)</sub>	L2 / L2 <sub>(mm)</sub> / L2 <sub>(inch)</sub>
P31 T 75x75	346 444	75 / 2.92"	0.8 / 0.032"	1 / 0.039"	30 / 1.18"	100 / 3.94"	333 / 13.11"	204 / 8.03"
P31 T 75x100	346 445	100 / 3.94"	0.8 / 0.032"	1 / 0.039"	30 / 1.18"	100 / 3.94"	358 / 14.11"	229 / 9.02"
P31 T 75x150	346 446	150 / 5.91"	0.8 / 0.032"	1 / 0.039"	30 / 1.18"	100 / 3.94"	408 / 16.08"	279 / 10.99"
P31 T 75x200	346 447	200 / 7.87"	0.8 / 0.032"	1 / 0.039"	30 / 1.18"	100 / 3.94"	458 / 18.05"	329 / 12.96"
P31 T 75x300	346 448	300 / 11.81"	1 / 0.039"	1 / 0.039"	30 / 1.18"	100 / 3.94"	558 / 21.99"	429 / 16.90"
P31 T 75x400	346 449	400 / 15.75"	1 / 0.039"	1 / 0.039"	50 / 1.97"	150 / 5.91"	798 / 31.44"	599 / 23.60"

Material	Standard
X2 Cr Ni 18-9	EN 10 088-2

Propriété exclusive de LEGRAND, ne peut être ni copié, ni transmis à des tiers sans autorisation écrite.

Exclusive property of LEGRAND shouldn't be reproduced or transmitted to any people without written authorization