

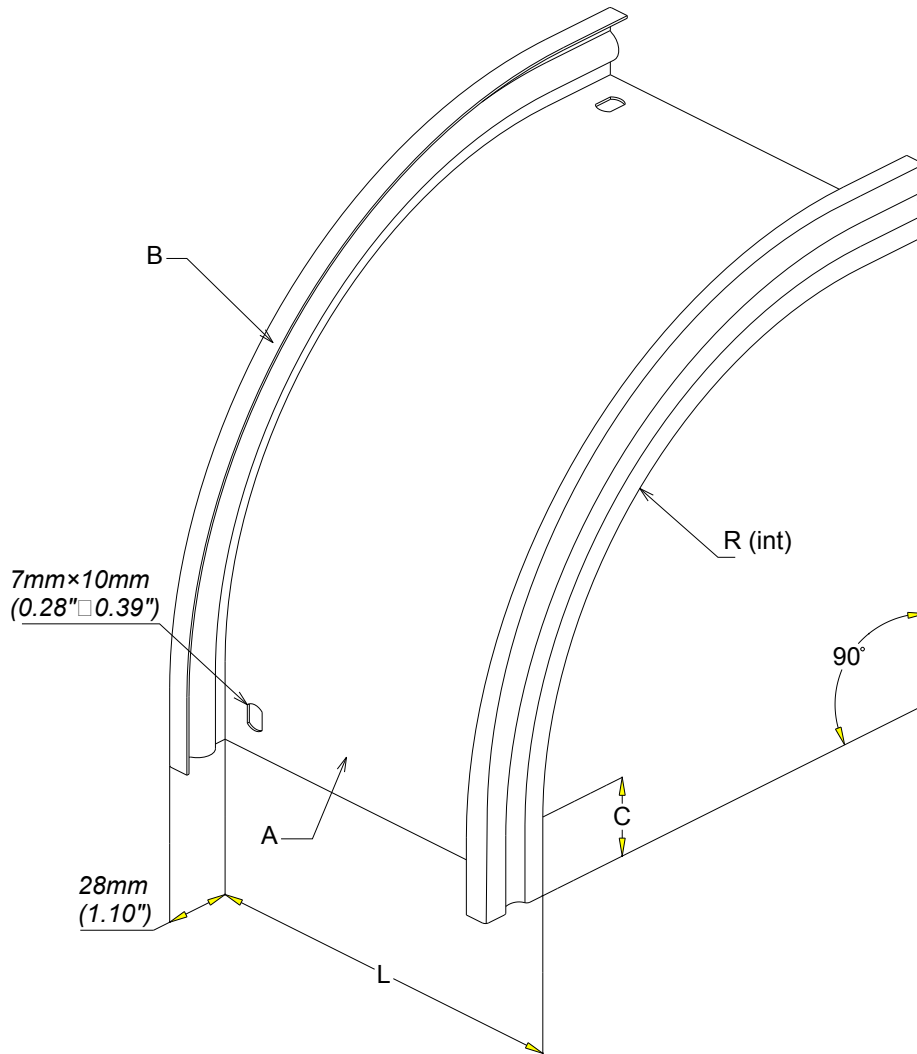
CHT PL CONV P31 OR H25 50 à 500
 Outside riser P31 25x50 to 500

GS
 PG

CABLOFIL®
 INNOVATORS IN CABLE MANAGEMENT

FT0595-0

04 18



REF	CODE	L /L (mm) (inch)	A /A (mm) (inch)	B /B (mm) (inch)	C /C (mm) (inch)	R /R (mm) (inch)
P31 OR 25x50	341 030	50 (1.97")	0.8 (0.032")	1 (0.039")	30 (1.18")	42 (1.65")
P31 OR 25x75	341 031	77 (2.92")	0.8 (0.032")	1 (0.039")	30 (1.18")	150 (5.91")
P31 OR 25x100	341 032	100 (3.94")	0.8 (0.032")	1 (0.039")	30 (1.18")	150 (5.91")
P31 OR 25x150	341 033	150 (5.91")	0.8 (0.032")	1 (0.039")	30 (1.18")	150 (5.91")
P31 OR 25x200	341 034	200 (5.91")	0.8 (0.032")	1 (0.039")	30 (1.18")	150 (5.91")
P31 OR 25x300	341 035	300 (7.87")	1 (0.039")	1 (0.039")	30 (1.18")	150 (5.91")
P31 OR 25x400	341 036	400 (11.81")	1 (0.039")	1 (0.039")	50 (1.97")	223 (8.79")
P31 OR 25x500	341 037	500 (19.69")	1 (0.039")	1 (0.039")	50 (1.97")	223 (8.79")

NORMES/STANDARD

MATIERE / MATIERAL
 DX 51 D Z 200 MAC

EN 10 130

PROTECTION / COATING
 Pregalvanised

Propriété exclusive de CABLOFIL, ne peut être ni copié, ni transmis à des tiers sans autorisation écrite.
 Exclusive property of CABLOFIL shouldn't be reproduced or transmitted to any people