

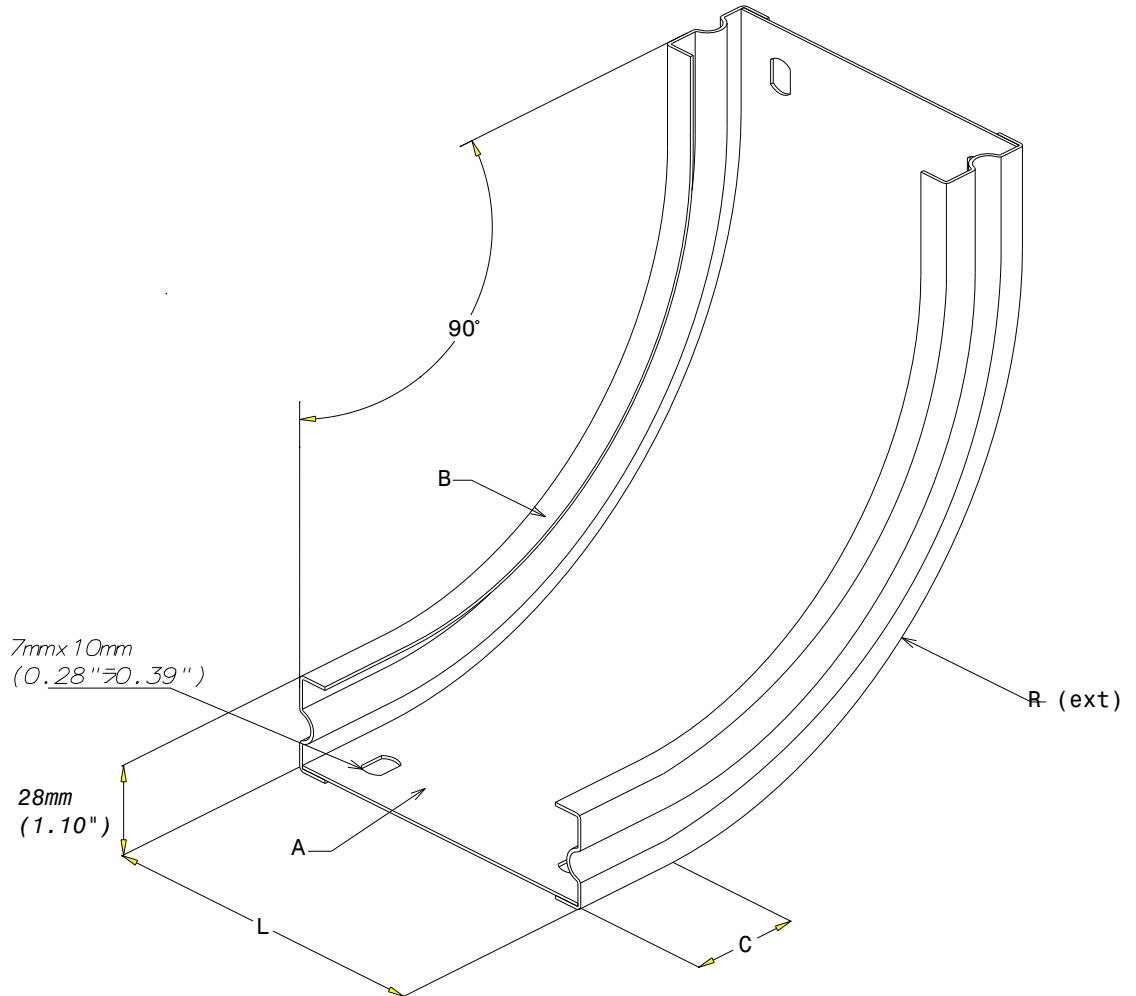
COUDE 45° P31 FB H25 50 à 500
Flat bend P31 25x50 to 500

GS
PG

legrand CABLE
MANAGEMENT

FT0594-0

04 18



REF	CODE	L (mm)	L (inch)	A (mm)	A (inch)	B (mm)	B (inch)	C (mm)	C (inch)	R (mm)	R (inch)
P31 IR 25x50	340 971	50	(1.97")	0.8	(0.032")	1	(0.039")	30	(1.18")	48	(1.89")
P31 IR 25x75	340 972	75	(2.92")	0.8	(0.032")	1	(0.039")	30	(1.18")	128	(5.04")
P31 IR 25x100	340 973	100	(3.94")	0.8	(0.032")	1	(0.039")	30	(1.18")	128	(5.04")
P31 IR 25x150	340 974	150	(5.91")	0.8	(0.032")	1	(0.039")	30	(1.18")	128	(5.04")
P31 IR 25x200	340 975	200	(7.87")	0.8	(0.032")	1	(0.039")	30	(1.18")	128	(5.04")
P31 IR 25x300	340 976	300	(11.81")	1	(0.039")	1	(0.039")	30	(1.18")	128	(5.04")
P31 IR 25x400	340 977	400	(15.75")	1	(0.039")	1	(0.039")	50	(1.97")	178	(7.01")
P31 IR 25x500	340 978	500	(19.69")	1	(0.039")	1	(0.039")	50	(1.97")	178	(7.01")

NORMES
STANDARD

MATIERE / MATERIAL
DX 51 D Z 200 MAC

EN 10 346

PROTECTION / COATING
Pregalvanised