

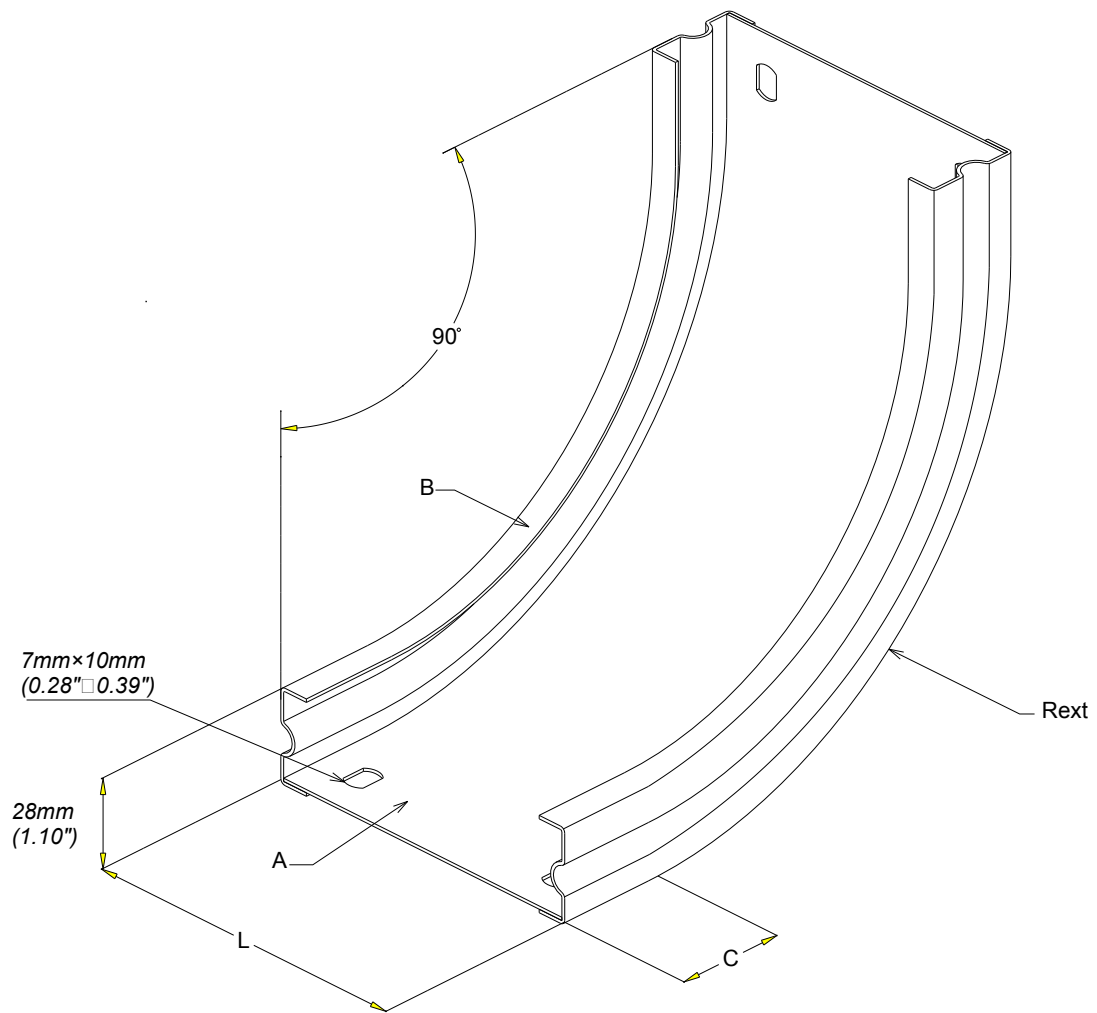
CHT PL CONC P31 IR H25 50 à 500
 Inside riser P31 25x50 to 500

GC
 HDG

legrand | CABLE
 MANAGEMENT

FT0594-3

11 13



REF	CODE	L /L (mm) (inch)	A /A (mm) (inch)	B /B (mm) (inch)	C /C (mm) (inch)	R /R (mm) (inch)
P31 IR 25x50	342 971	50 (1.97")	0.8 (0.032")	1 (0.039")	30 (1.18")	48 (1.89")
P31 IR 25x75	342 972	75 (2.92")	0.8 (0.032")	1 (0.039")	30 (1.18")	128 (5.04")
P31 IR 25x100	342 973	100 (3.94")	0.8 (0.032")	1 (0.039")	30 (1.18")	128 (5.04")
P31 IR 25x150	342 974	150 (5.91")	0.8 (0.032")	1 (0.039")	30 (1.18")	128 (5.04")
P31 IR 25x200	342 975	200 (5.91")	0.8 (0.032")	1 (0.039")	30 (1.18")	128 (5.04")
P31 IR 25x300	342 976	300 (7.87")	1 (0.039")	1 (0.039")	30 (1.18")	128 (5.04")
P31 IR 25x400	342 977	400 (11.81")	1 (0.039")	1 (0.039")	50 (1.97")	178 (7.01")
P31 IR 25x500	342 978	500 (19.69")	1 (0.039")	1 (0.039")	50 (1.97")	178 (7.01")

NORMES/STANDARD

MATIERE / MATIERAL
 S 235 JR

EN 10 025

PROTECTION / COATING
 GC / HDG

EN ISO 1461

Propriété exclusive de LEGRAND, ne peut être ni copié, ni transmis à des tiers sans autorisation écrite.
 Exclusive property of LEGRAND shouldn't be reproduced or transmitted to any people

without written authorization