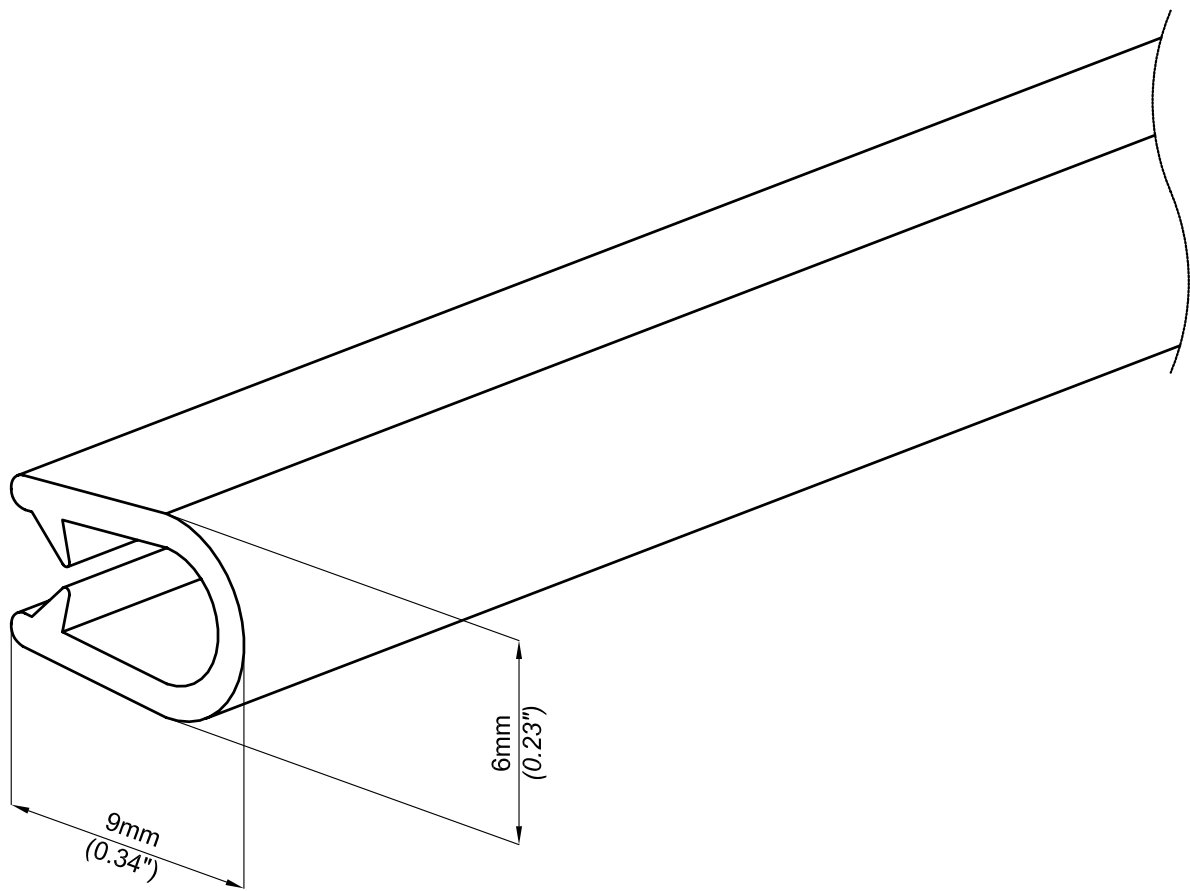


JONCS DE PROTECTION JP  
 JP SNAP RINGS OF PROTECTION

FT0593-0

07 03



REF	CODE	POIDS <sub>(kg/u)</sub>	WEIGHT <sub>(lb/u)</sub>
JP	522 354	0.320	0.012

MATIERE / MATERIAL

P V C