

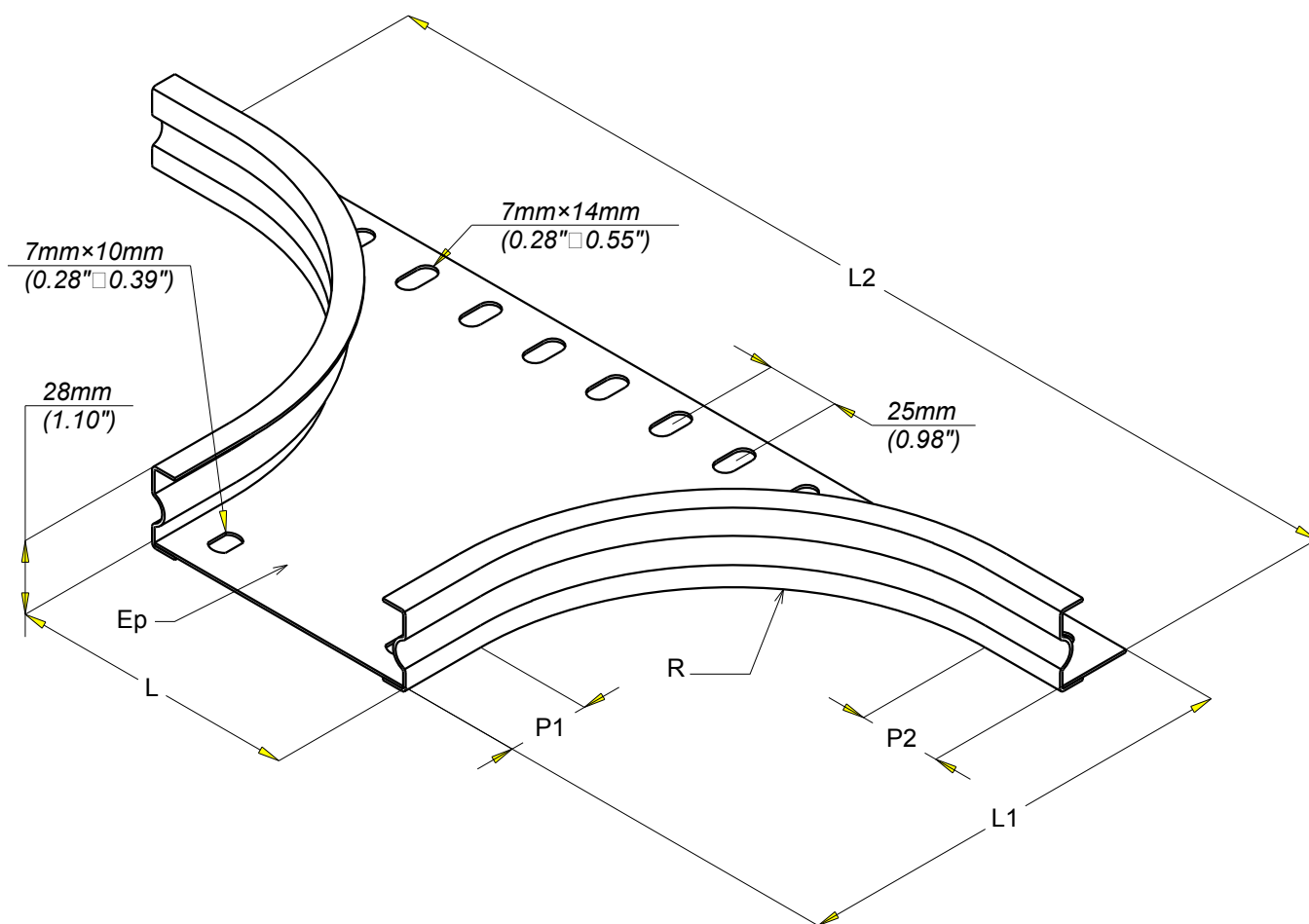
DERIVATION P31 B H25 50 à 500  
Branch piece P31 25x50 to 500

GC  
HDG

**legrand** CABLE  
MANAGEMENT

FT0591-3

11 13



REF	CODE	L /L	Ep /Th	P1 /P1	P2 /P2	R /R	L1 /L1	L2 /L2
		(mm) (inch)	(mm) (inch)	(mm) (inch)	(mm) (inch)	(mm) (inch)	(mm) (inch)	(mm) (inch)
P31 B 25x50	342 105	50 (1.97")	0.8 0.032"	31 (1.22")	31.25 (1.23")	20 (1.78")	76 (2.99")	149.5 (5.89")
P31 B 25x75	342 108	77 (3.03")	0.8 0.032"	30 (1.18")	30 (1.18")	99 (3.90")	155 (6.10")	334.5 (13.17")
P31 B 25x100	342 109	100 (3.94")	0.8 0.032"	30 (1.18")	30 (1.18")	99 (3.90")	155 (6.10")	357.5 (14.07")
P31 B 25x150	342 118	150 (5.91")	0.8 0.032"	30 (1.18")	30 (1.18")	99 (3.90")	155 (6.10")	407.5 (16.04")
P31 B 25x200	342 119	200 (5.91")	0.8 0.032"	30 (1.18")	30 (1.18")	99 (3.90")	155 (6.10")	457.5 (18.01")
P31 B 25x300	342 126	300 (7.87")	1 0.039"	30 (1.18")	30 (1.18")	99 (3.90")	155 (6.10")	557.5 (21.95")
P31 B 25x400	342 127	400 (11.81")	1 0.039"	51 (2.01")	49 (1.93")	149 (5.87")	226 (8.90")	795.5 (31.32")
P31 B 25x500	342 128	500 (19.69")	1 0.039"	51 (2.01")	49 (1.93")	149 (5.87")	226 (8.90")	895.5 (35.26")

NORMES/STANDARD

MATIERE / MATIERAL  
S 235 JR

EN 10 025

PROTECTION / COATING  
GC / HDG

EN ISO 1461