

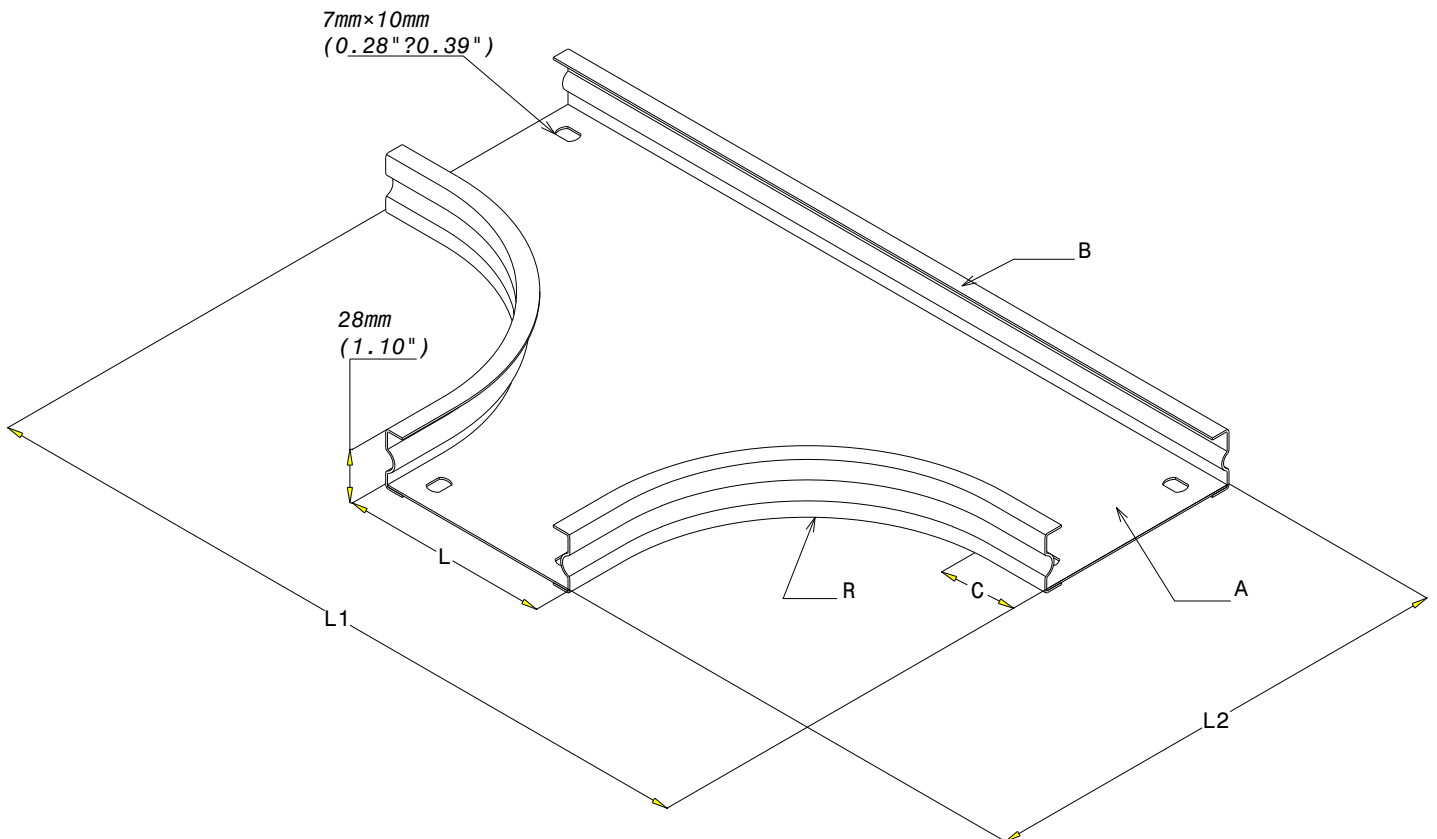
TE P31 T H25 50 à 500  
T-PIECE P31 25x50 to 500

GS  
PG

**CABLOFIL®**  
INNOVATORS IN CABLE MANAGEMENT

FT0589-0

06 18



| REF          | CODE    | L<br>(mm) | /L<br>(Inch) | A<br>(mm) | /A<br>(Inch) | B<br>(mm) | /B<br>(Inch) | C<br>(mm) | /C<br>(Inch) | R<br>(mm) | /R<br>(Inch) | L1<br>(mm) | /L1<br>(Inch) | L2<br>(mm) | /L2<br>(Inch) |
|--------------|---------|-----------|--------------|-----------|--------------|-----------|--------------|-----------|--------------|-----------|--------------|------------|---------------|------------|---------------|
| P31 T 25x50  | 341 095 | 50        | (1.97")      | 0.8       | 0.032"       | 1         | 0.039"       | 30        | (1.18")      | 20        | (1.78")      | 148        | (5.83")       | 99         | (3.90")       |
| P31 T 25x75  | 341 096 | 75        | (2.92")      | 0.8       | 0.032"       | 1         | 0.039"       | 30        | (1.18")      | 100       | (3.94")      | 333        | (13.11")      | 204        | (8.03")       |
| P31 T 25x100 | 341 097 | 100       | (3.94")      | 0.8       | 0.032"       | 1         | 0.039"       | 30        | (1.18")      | 100       | (3.94")      | 358        | (14.11")      | 229        | (9.02")       |
| P31 T 25x150 | 341 098 | 150       | (5.91")      | 0.8       | 0.032"       | 1         | 0.039"       | 30        | (1.18")      | 100       | (3.94")      | 408        | (16.08")      | 279        | (10.99")      |
| P31 T 25x200 | 341 099 | 200       | (7.87")      | 0.8       | 0.032"       | 1         | 0.039"       | 30        | (1.18")      | 100       | (3.94")      | 458        | (18.05")      | 329        | (12.96")      |
| P31 T 25x300 | 341 100 | 300       | (11.81")     | 1         | 0.039"       | 1         | 0.039"       | 30        | (1.18")      | 100       | (3.94")      | 558        | (21.99")      | 429        | (16.90")      |
| P31 T 25x400 | 341 101 | 400       | (15.75")     | 1         | 0.039"       | 1         | 0.039"       | 50        | (1.97")      | 150       | (5.91")      | 798        | (31.44")      | 599        | (23.60")      |
| P31 T 25x500 | 341 102 | 500       | (19.69")     | 1         | 0.039"       | 1         | 0.039"       | 50        | (1.97")      | 150       | (5.91")      | 898        | (35.38")      | 699        | (27.54")      |

NORMES  
STANDARD

MATIERE / MATERIAL  
DX 51 D Z 200 MAC

EN 10 346

PROTECTION / COATING  
Pregalvanised

EN 10 346

Propriété exclusive de LEGRAND, ne peut être ni copié, ni transmis à des tiers sans autorisation écrite.

Exclusive property of LEGRAND shouldn't be reproduced or transmitted to any people

without written authorization