

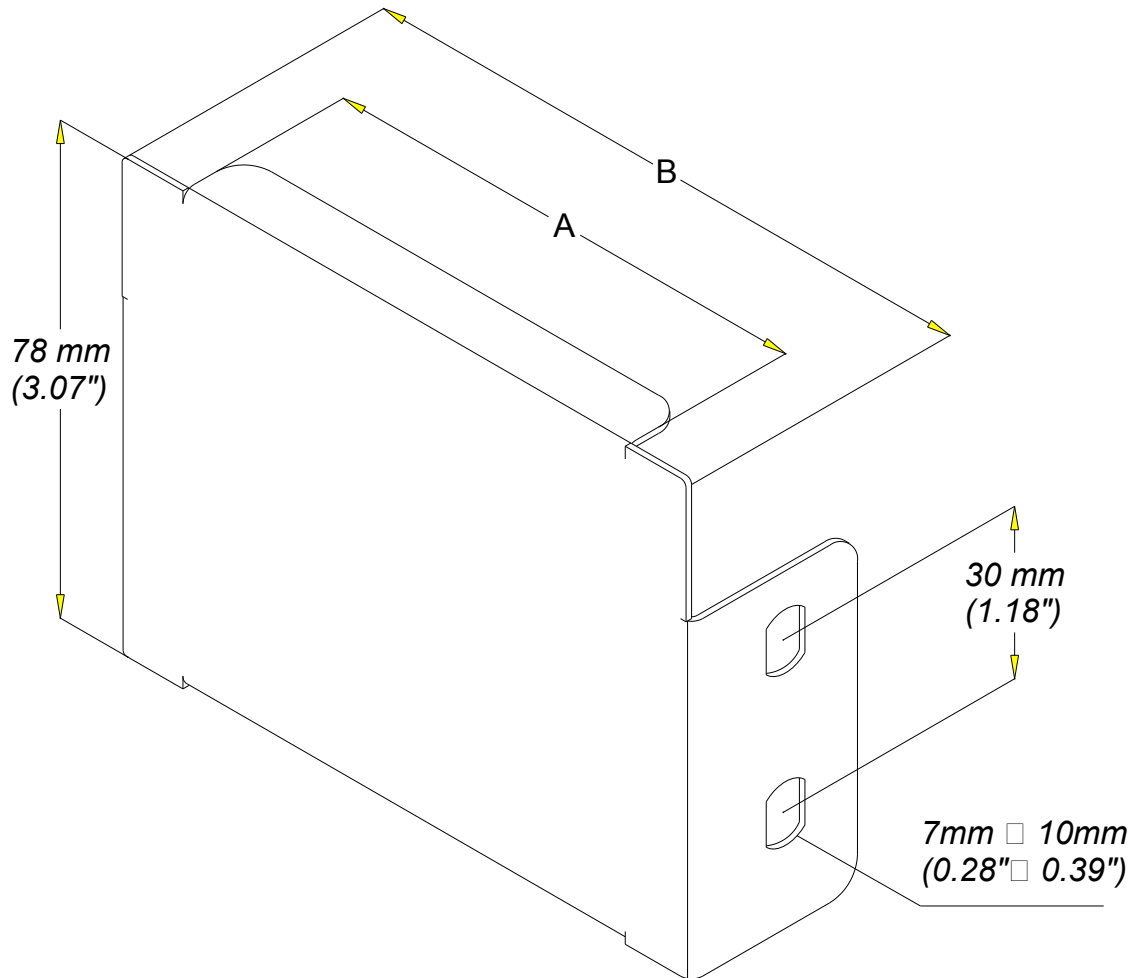
FERMT GOUL P31 SE H75 75 à 400
 END CAP P31 75x75 to 400

304L

legrand | CABLE
 MANAGEMENT

FT0585-8

11 13



REF	CODE	POIDS / WEIGHT		EP. / TH.		B / B		A / A	
		(kg)	(inch)	(mm)	(inch)	(mm)	(inch)	(mm)	(inch)
P31 SE 75x75	346 457	0.090	0.198	1	(0.039")	55	(2.16")	77	(3.03")
P31 SE 75x100	346 458	0.110	0.242	1	(0.039")	80	(3.15")	102	(4.02")
P31 SE 75x150	346 459	0.145	0.319	1	(0.039")	130	(5.12")	152	(5.98")
P31 SE 75x200	346 460	0.190	0.418	1	(0.039")	180	(7.09")	202	(7.95")
P31 SE 75x300	346 461	0.270	0.594	1	(0.039")	280	(11.02")	302	(11.89")
P31 SE 75x400	346 462	0.350	0.770	1	(0.039")	380	(14.96")	402	(15.82")

Material	Standard
X2 Cr Ni 18-9	EN 10 088-2

Propriété exclusive de LEGRAND, ne peut être ni copié, ni transmis à des tiers sans autorisation écrite.

Exclusive property of LEGRAND shouldn't be reproduced or transmitted to any people

without written authorization