

COUV COUDE 90 P31 CFB 75 à 400
Cover for bend P31 W75 to W400

INOX 304L
SS304L

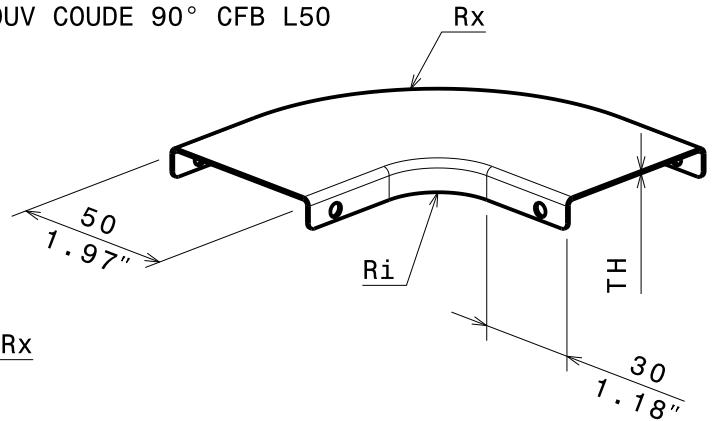
CABLOFIL®

INNOVATORS IN CABLE MANAGEMENT

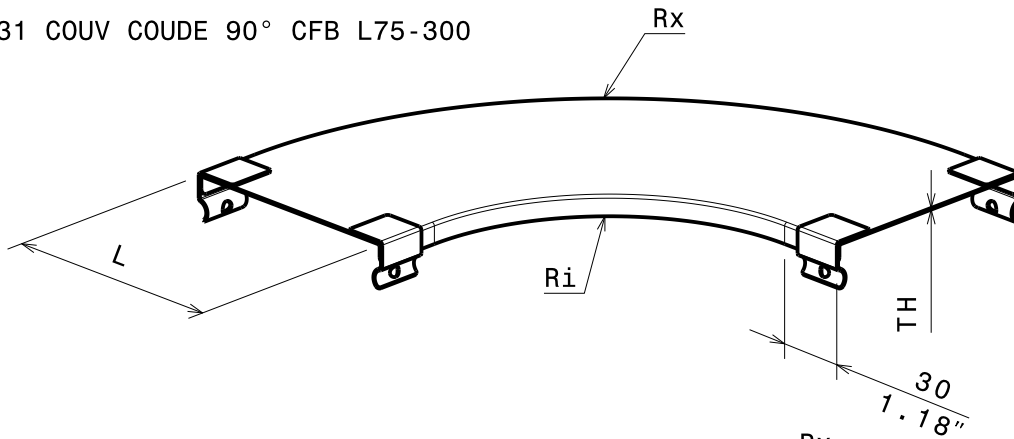
FT0537-8

10 16

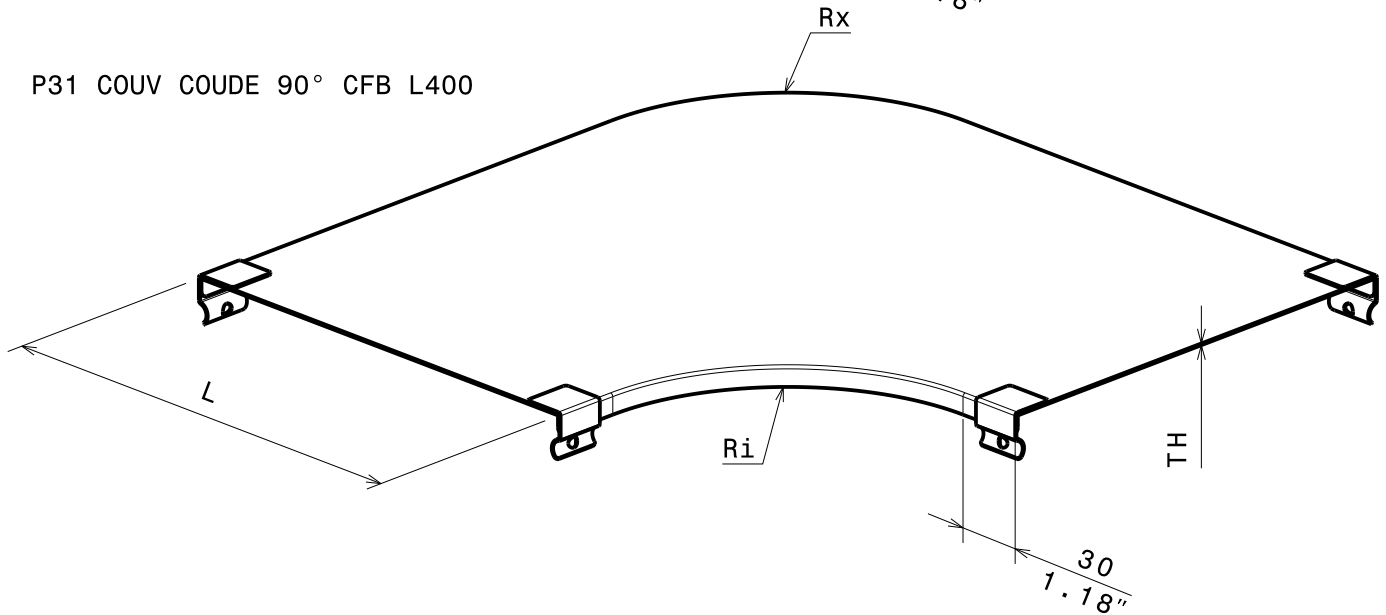
P31 COUV COUDE 90° CFB L50



P31 COUV COUDE 90° CFB L75-300



P31 COUV COUDE 90° CFB L400



REF	CODE	L / L		EP. / TH.		Ri / Ri		Rx / Rx		WEIGHT KG/lb
		(mm)	(inch)	(mm)	(inch)	(mm)	(inch)	(mm)	(inch)	
P31 CFB 75	346 483	75	2.92"	0.8	0.032"	100	3.94"	175	7.87"	0.170/0.114
P31 CFB 100	346 484	100	3.94"	0.8	0.032"	100	3.94"	200	9.84"	0.210/0.145
P31 CFB 150	346 485	150	5.91"	0.8	0.032"	100	3.94"	250	9.84"	0.410/0.275
P31 CFB 200	346 486	200	7.87"	0.8	0.032"	100	3.94"	300	11.81"	0.460/0.309
P31 CFB 300	346 487	300	11.81"	1	0.039"	100	3.94"	400	15.74"	1.02/0.685
P31 CFB 400	346 488	400	15.75"	1	0.039"	150	5.91"	150	5.91"	2.17/1.458

Material	Standard
X2 Cr Ni 18-9	EN 10 088-2

Propriété exclusive de CABLOFIL, ne peut être ni copié, ni transmis à des tiers sans autorisation écrite.
Exclusive property of CABLOFIL shouldn't be reproduced or transmitted to any people without written authorization