

CHT PL CONV P31 OR H50 50
 Outside riser P31 50x50 50x50

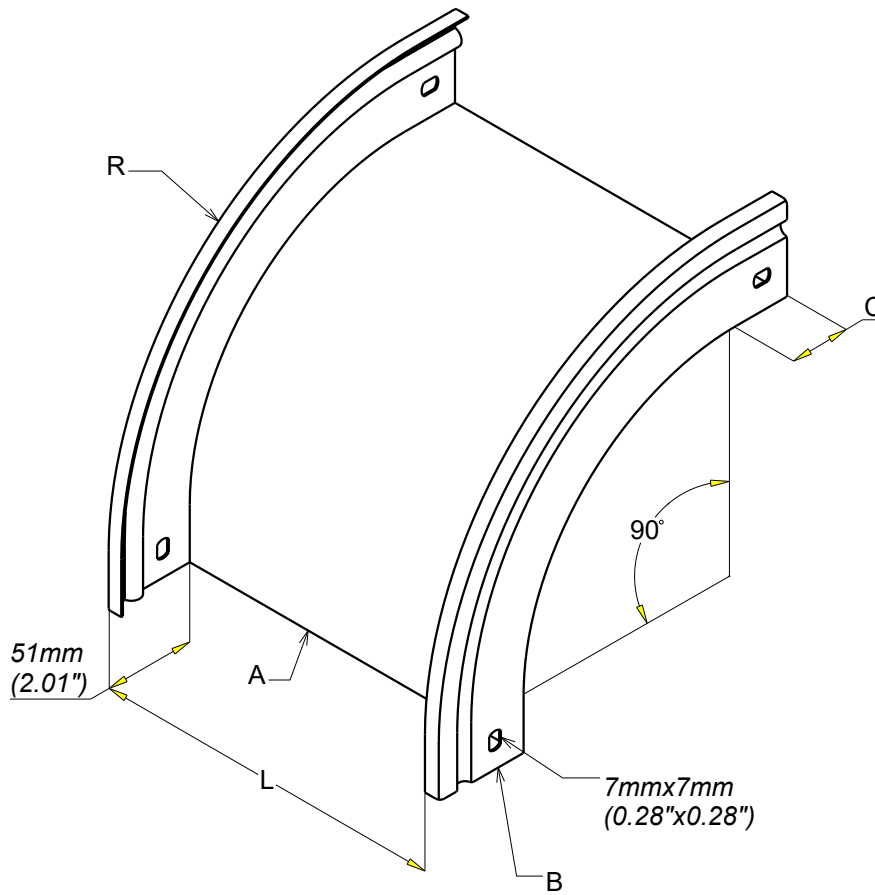
GS
 PG



CABLE
 MANAGEMENT

FT0532-0

10 21



Material	Standard
DX 51 D Z 200 MAC	EN 10 346

REF	CODE	L /L (mm) (inch)		A /A (mm) (inch)		B /B (mm) (inch)		C /C (mm) (inch)		R /R (mm) (inch)	
P31 OR 50x50	341 038	50	(1.97")	0.8	(0.032")	1	(0.039")	30	(1.18")	70	(2.75")

Propriété exclusive de LEGRAND, ne peut être ni copié, ni transmis à des tiers sans autorisation écrite.

Exclusive property of LEGRAND shouldn't be reproduced or transmitted to any people without written authorization