

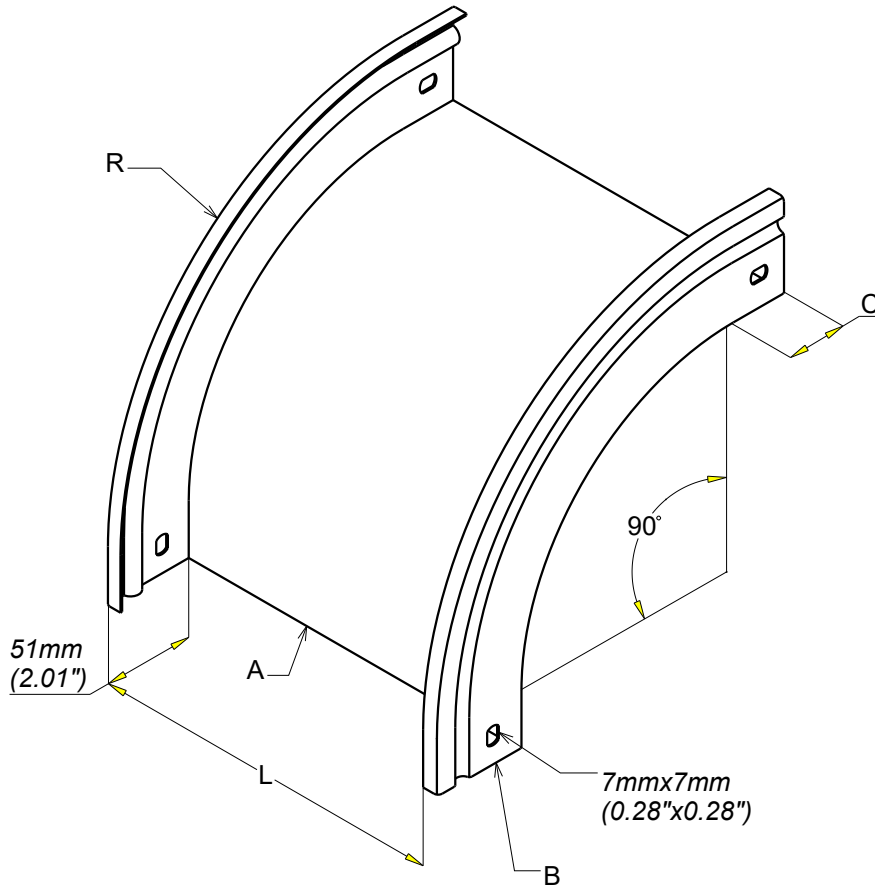
CHT PL CONV P31 OR H50 50  
 Outside riser P31 50x50

GC  
 HDG

**legrand** | CABLE  
 MANAGEMENT

FT0532-3

10 21



Material	Standard	Finishes	Standard
S 235 JR	EN 10 025-2	HDG	Class 6 according to CEI 61537

REF	CODE	L /L (mm) (inch)	A /A (mm) (inch)	B /B (mm) (inch)	C /C (mm) (inch)	R /R (mm) (inch)
P31 OR 50x50	343 038	50 (1.97")	0.8 (0.032")	1 (0.039")	30 (1.18")	70 (2.75")

Propriété exclusive de LEGRAND, ne peut être ni copié, ni transmis à des tiers sans autorisation écrite.

Exclusive property of LEGRAND shouldn't be reproduced or transmitted to any people without written authorization