

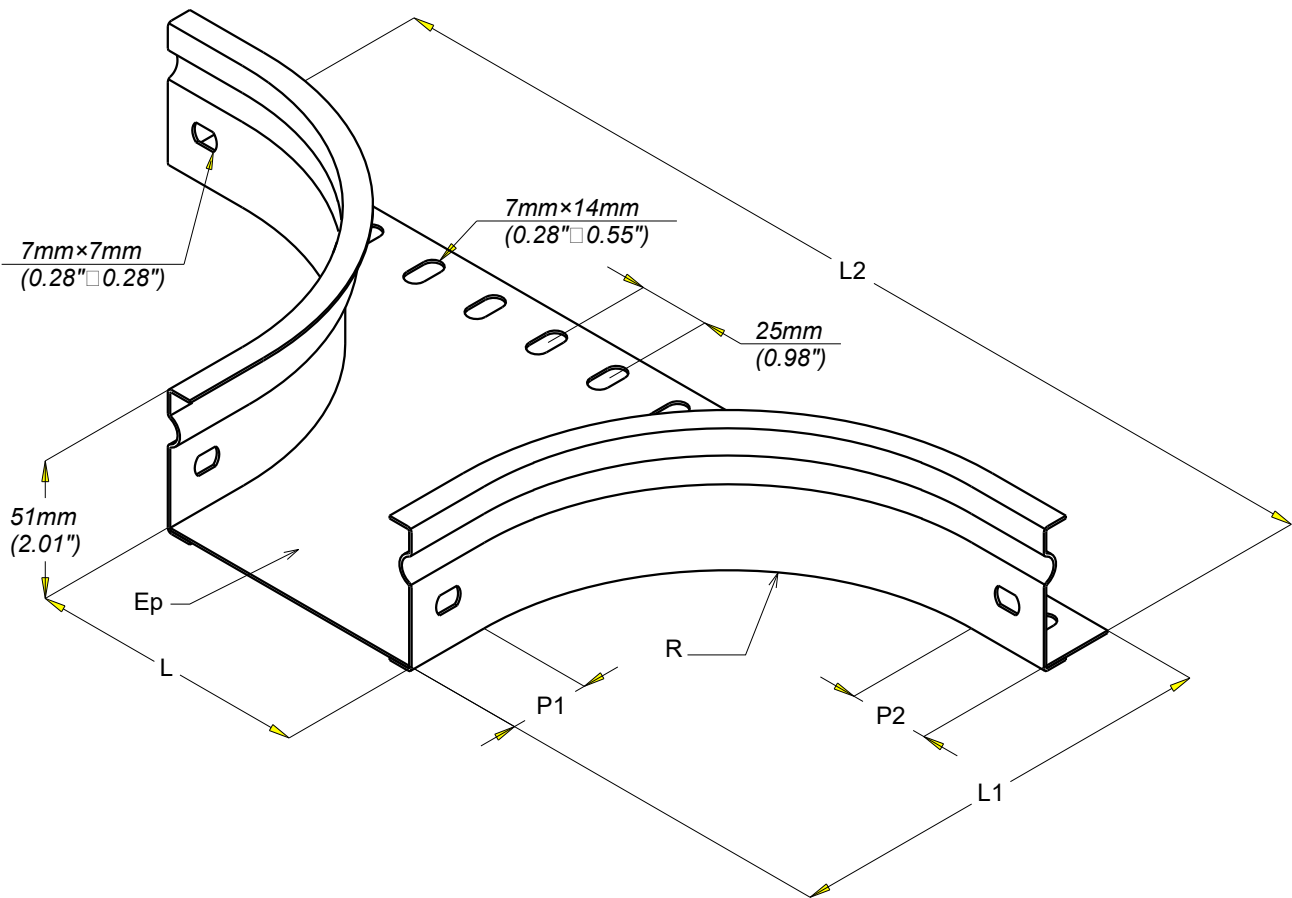
DERIVATION P31 B H50 50
Branch piece P31 50x50

GS
PG

legrand | CABLE
MANAGEMENT

FT0530-0

10 21



Material	Standard
DX 51 D Z 200 MAC	EN 10 346

REF	CODE	L /L (mm) (inch)	Ep /Th (mm) (inch)	P1 /P1 (mm) (inch)	P2 /P2 (mm) (inch)	R /R (mm) (inch)	L1 /L1 (mm) (inch)	L2 /L2 (mm) (inch)
P31 B 50x50	340 129	50 (1.97")	0.8 (0.032")	31 (1.22")	31.25 (1.23")	20 (1.78")	76 (2.99")	149.5 (5.89")

Propriété exclusive de LEGRAND, ne peut être ni copié, ni transmis à des tiers sans autorisation écrite.

Exclusive property of LEGRAND shouldn't be reproduced or transmitted to any people without written authorization