

DERIVATION P31 B H50 50  
Branch piece P31 50x50

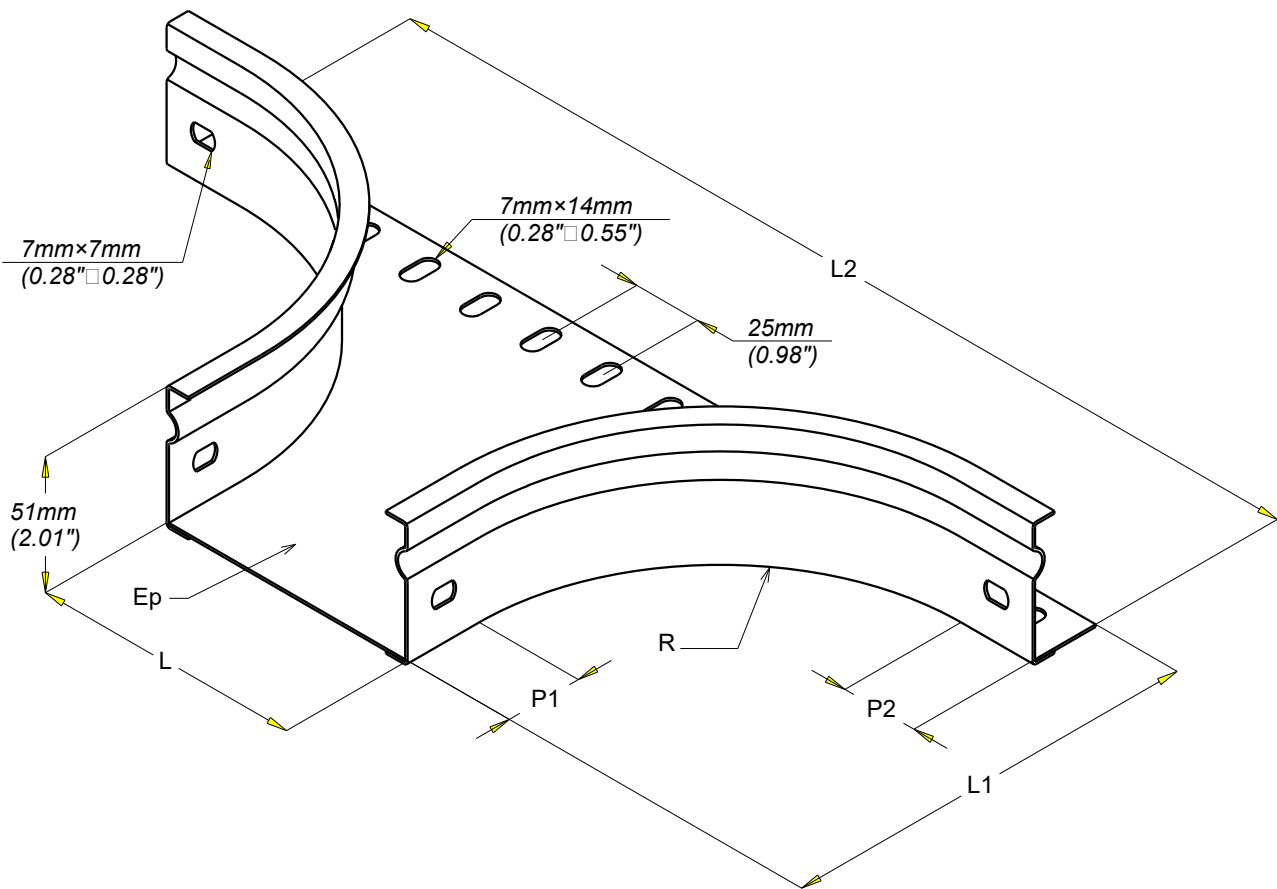
GC  
HDG



CABLE  
MANAGEMENT

FT0530-3

10 21



Material	Standard	Finishes	Standard
S 235 JR	EN 10 025-2	HDG	Class 6 according to CEI 61537

REF	CODE	L /L	Ep /Th	P1 /P1	P2 /P2	R /R	L1 /L1	L2 /L2
		(mm) / (inch)	(mm) / (inch)	(mm) / (inch)	(mm) / (inch)	(mm) / (inch)	(mm) / (inch)	(mm) / (inch)
P31 B 50x50	342 129	50 / (1.97")	0.8 / (0.032")	31 / (1.22")	31.25 / (1.23")	20 / (1.78")	76 / (2.99")	149.5 / (5.89")

Propriété exclusive de LEGRAND, ne peut être ni copié, ni transmis à des tiers sans autorisation écrite.

Exclusive property of LEGRAND shouldn't be reproduced or transmitted to any people without written authorization