

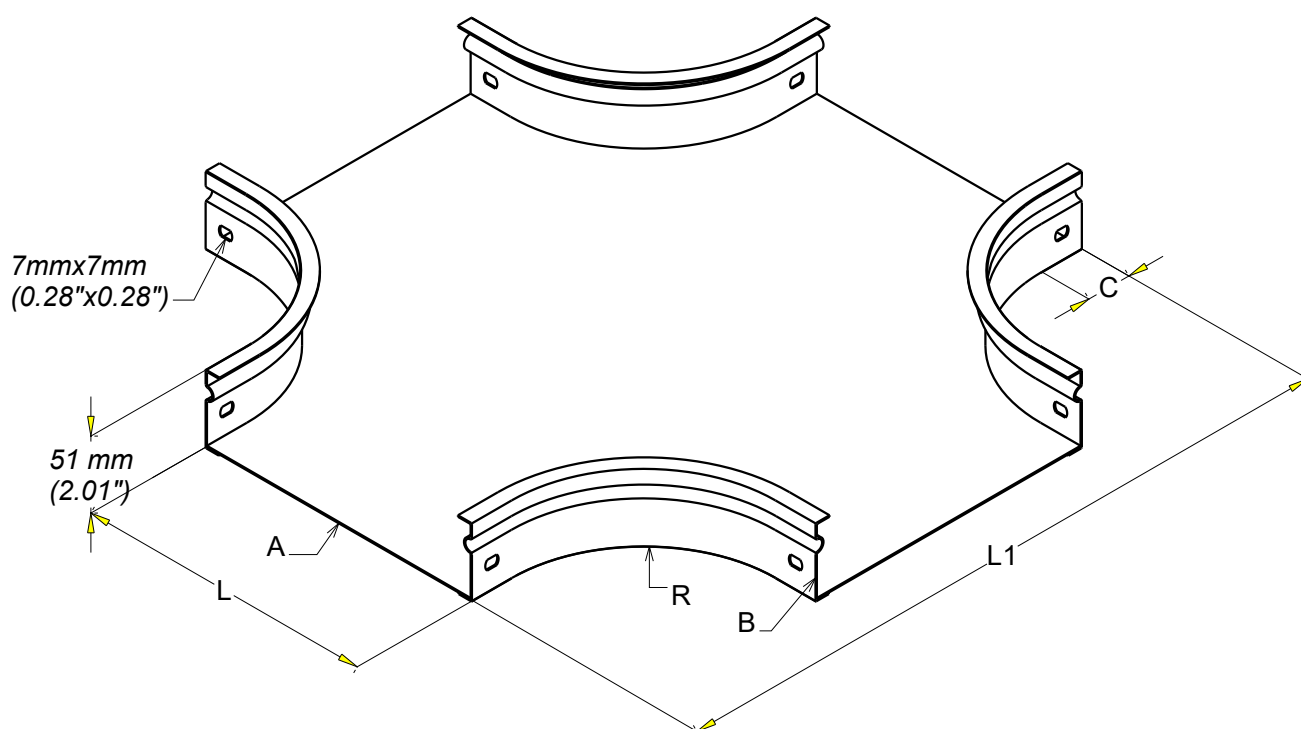
CROIX P31 X H50 50
CROSS P31 50x50

GC
HDG

legrand | CABLE
MANAGEMENT

FT0529-3

10 21



Material	Standard	Finishes	Standard
S 235 JR	EN 10 025-2	HDG	Class 6 according to CEI 61537

REF	CODE	L /L	A /A	B /B	C /C	R /R	L1 /L1
		(mm) (inch)	(mm) (inch)	(mm) (inch)	(mm) (inch)	(mm) (inch)	(mm) (inch)
P31 X 50x50	343 133	50 (1.97")	0.8 (0.032")	1 (0.039")	30 (1.18")	20 (1.78")	148 (5.83")

Propriété exclusive de LEGRAND, ne peut être ni copié, ni transmis à des tiers sans autorisation écrite.
Exclusive property of LEGRAND shouldn't be reproduced or transmitted to any people without written authorization