

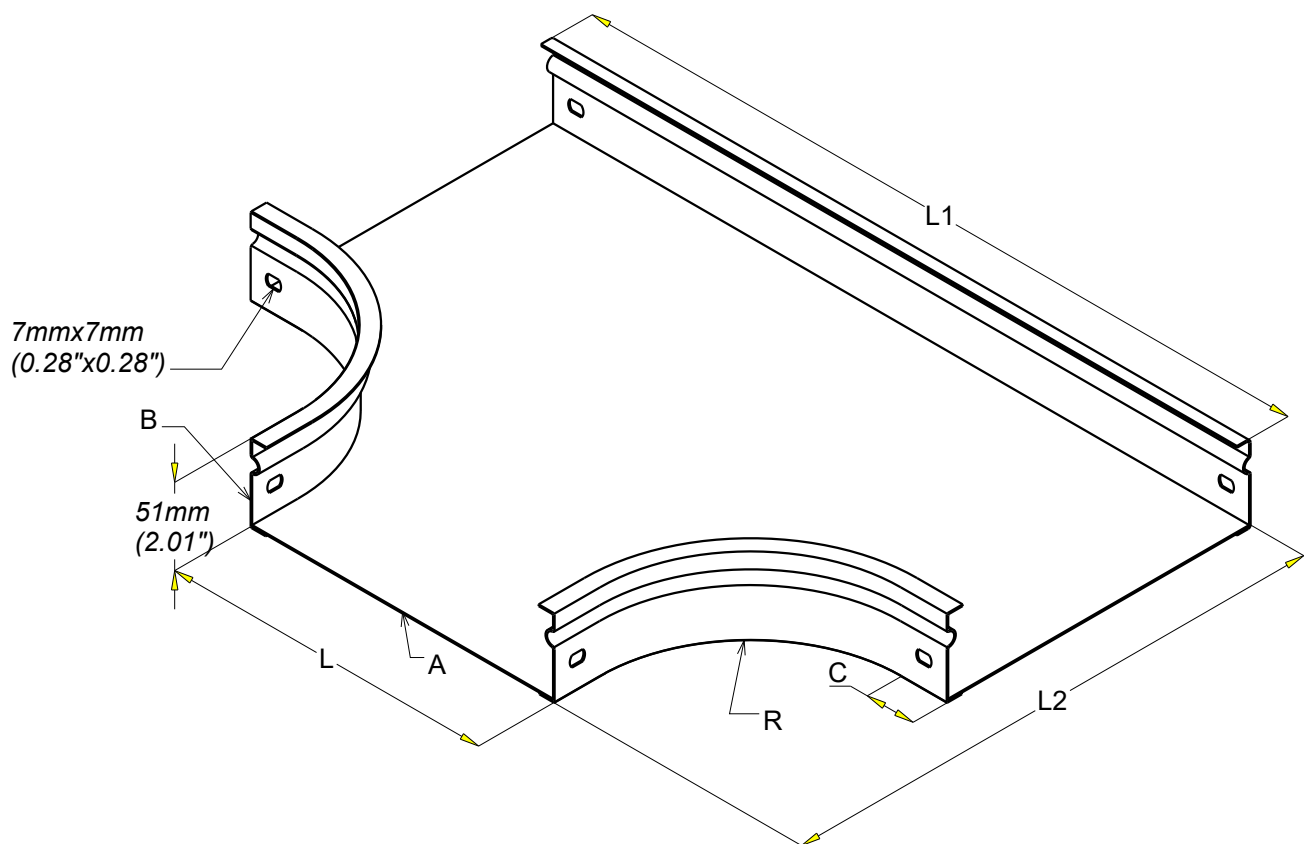
TE P31 RM H50 50
T-PIECE P31 50x50

GS
PG

legrand | CABLE
MANAGEMENT

FT0528-0

10 21



Material	Standard
DX 51 D Z 200 MAC	EN 10 346

REF	CODE	L /L (mm) (inch)	A /A (mm) (inch)	B /B (mm) (inch)	C /C (mm) (inch)	R /R (mm) (inch)	L1 /L1 (mm) (inch)	L2 /L2 (mm) (inch)
P31 T 50x50	341 103	50 (1.97")	0.8 (0.032")	1 (0.039")	30 (1.18")	20 (1.78")	148 (5.83")	99 (3.90")

Propriété exclusive de LEGRAND, ne peut être ni copié, ni transmis à des tiers sans autorisation écrite.

Exclusive property of LEGRAND shouldn't be reproduced or transmitted to any people without written authorization