

COUDE 45 ° P31 RM H50 50
 FLAT BEND 45 ° P31 RM H50 50

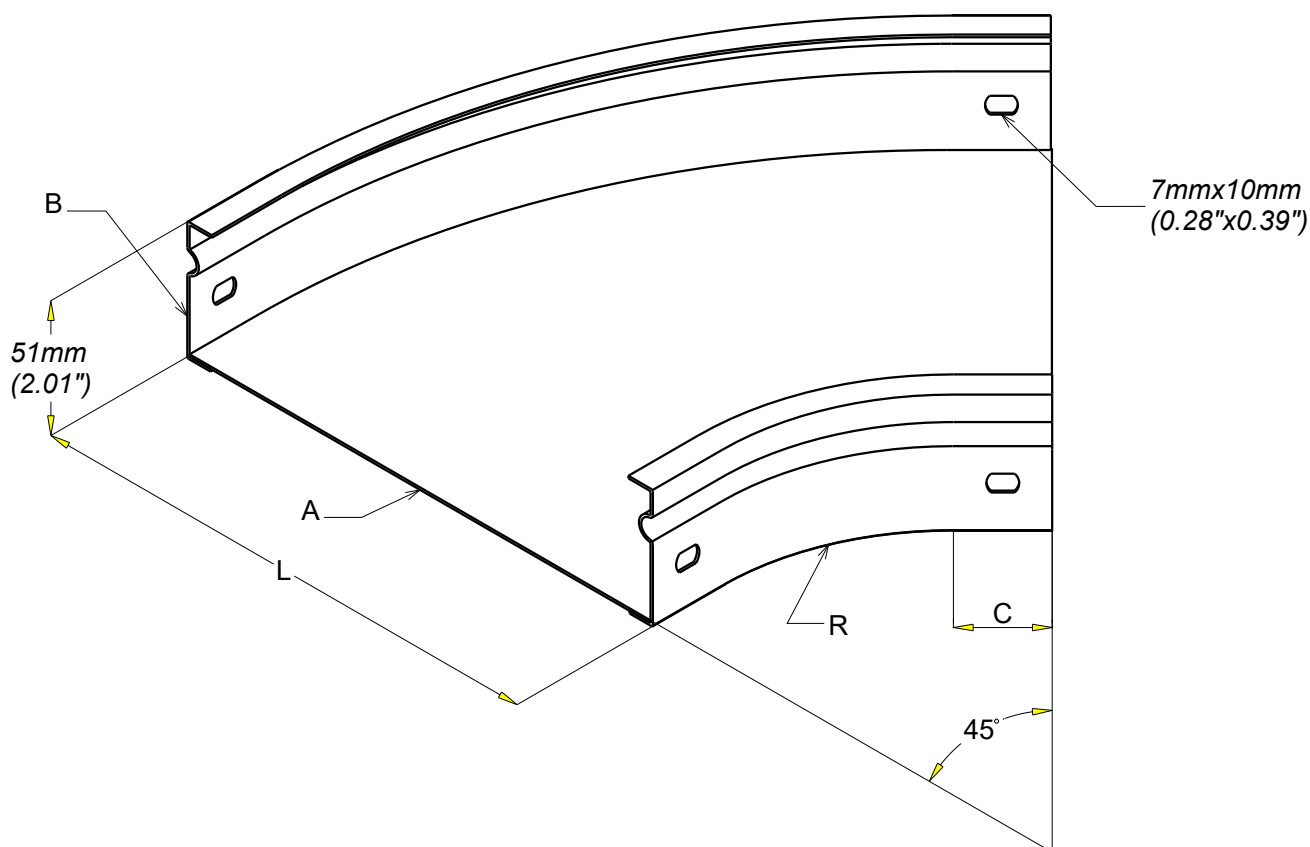
GS
 PG



CABLE
 MANAGEMENT

FT0527-0

10 21



REF	CODE	L /L (mm) (inch)	A /A (mm) (inch)	B /B (mm) (inch)	C /C (mm) (inch)	R /R (mm) (inch)
P31 FB45 50x50	340 944	50 (1.97")	0.8 (0.032")	1 (0.039")	30 (1.18")	- -

Material	Standard
DX 51 D Z 200 MAC	EN 10 346