

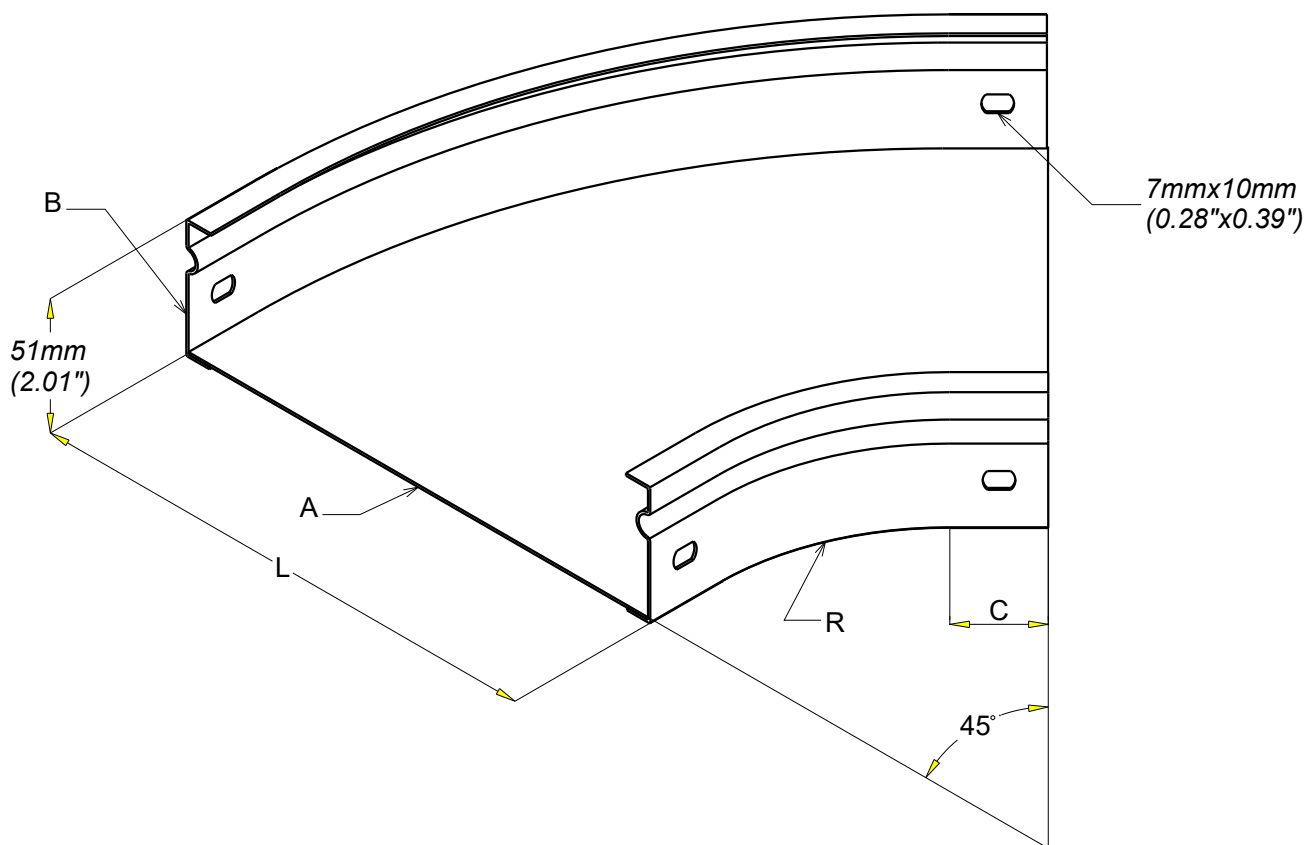
COUDE 45 ° P31 RM H50 50
 FLAT BEND 45 ° P31 RM H50 50

GC
 HDG

legrand | CABLE
 MANAGEMENT

FT0527-3

10 21



REF	CODE	L /L (mm) (inch)	A /A (mm) (inch)	B /B (mm) (inch)	C /C (mm) (inch)	R /R (mm) (inch)
P31 FB45 50x50	342 944	50 (1.97")	0.8 (0.032")	1 (0.039")	50 (1.18")	- -

Material	Standard	Finishes	Standard
DC 01	EN 10130	HDG	Class 6 according to CEI 61537