

**COUDE 90 P31 FB H50 50**  
**Flat bend P31 50x50**

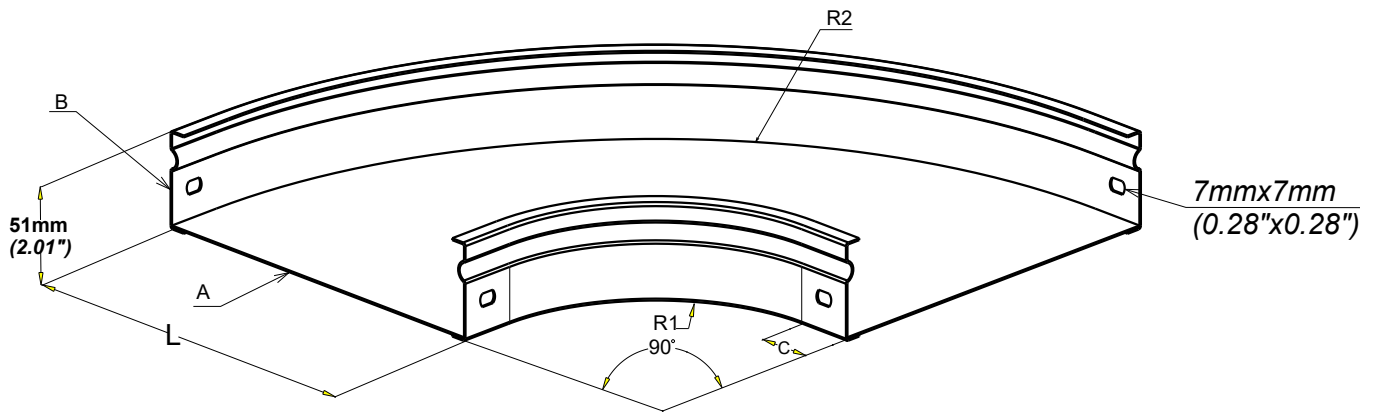
**GS**  
**PG**

**legrand®** | **CABLE**  
**MANAGEMENT**

**FT0526-0**

**10 21**

**L = 50**



Material	Standard
DX 51 D Z 200 MAC	EN 10 346

REF	CODE	L /L (mm) (inch)		A /A (mm) (inch)		B /B (mm) (inch)		C /C (mm) (inch)		R 1 / R 1 (mm) (inch)		R 2 / R 2 (mm) (inch)	
P31 FB 50x50	340 914	50	(1.97")	0.8	(0.032")	1	(0.039")	30	(1.18")	20	(1.78")	/	/