

COUDE 90 P31 FB H50x50
Flat bend P31 50x50

GC
HDG

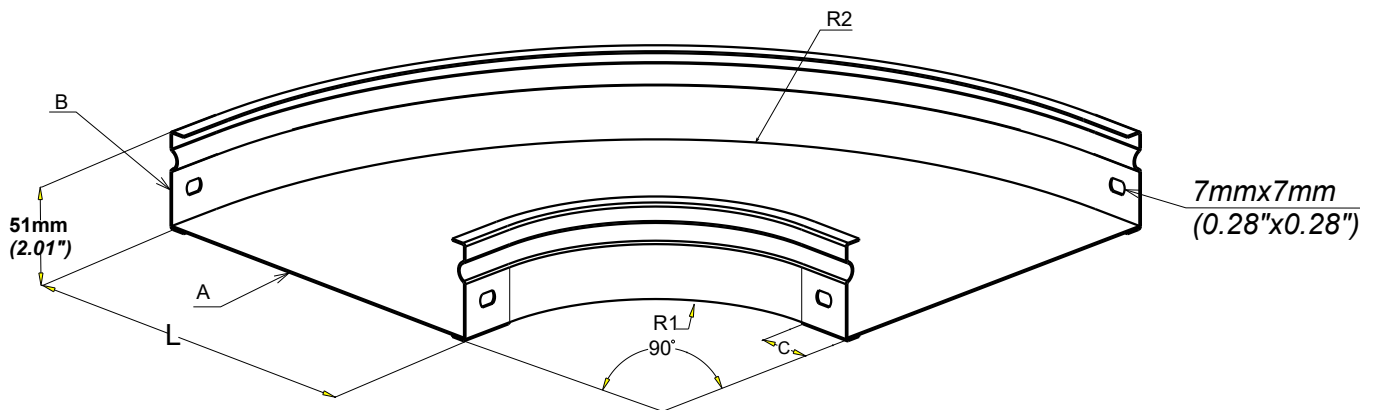


CABLE
MANAGEMENT

FT0526-3

10 21

L = 50



Material	Standard	Finishes	Standard
S235 JR	EN 10130	HDG	Class 6 according to CEI 61537

REF	CODE	L /L (mm) (inch)	A /A (mm) (inch)	B /B (mm) (inch)	C /C (mm) (inch)	R 1 /R 1 (mm) (inch)	R 2 /R 2 (mm) (inch)
P31 FB 50x50	342 914	50 (1.97")	0.8 (0.032")	1 (0.039")	30 (1.18")	20 (1.78")	/ /