

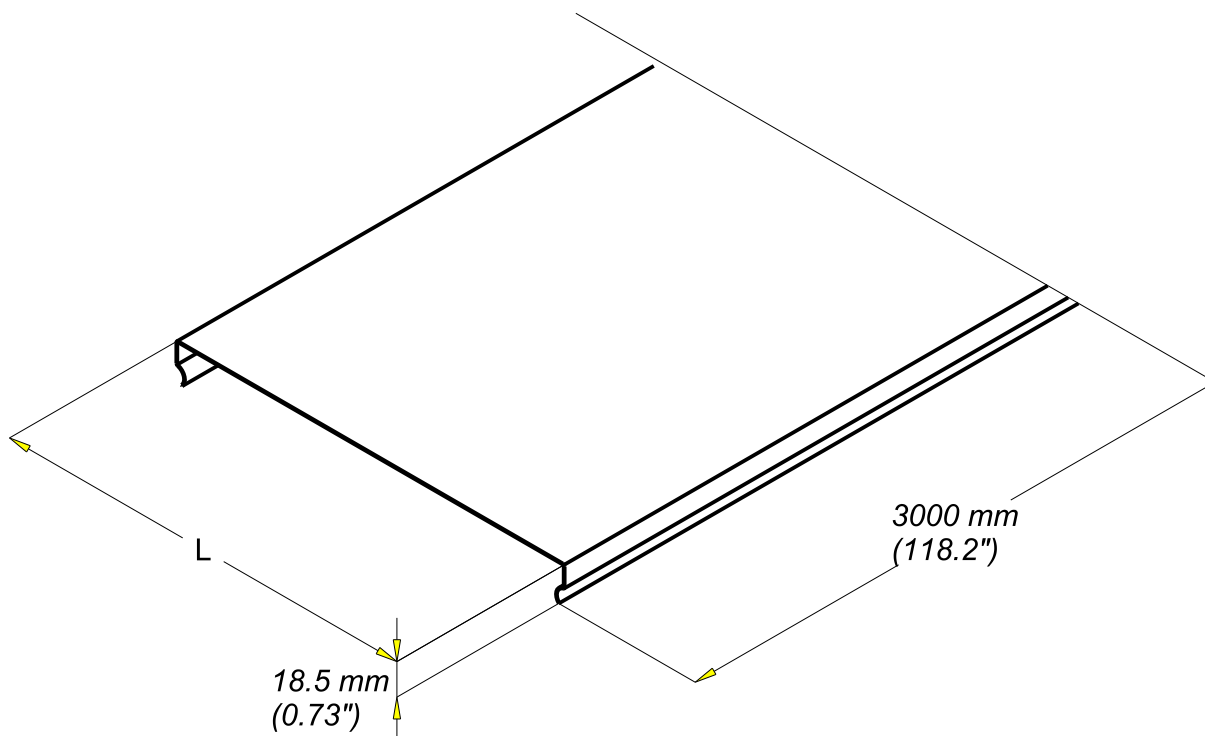
Couvercle P31 CO 400 à 600 3M  
 Cover P31 L3m 400 to 600

GS  
 PG

**legrand** | CABLE  
 MANAGEMENT

FT0521-0

11 13



REF	CODE	POIDS /WEIGHT		L / L		EP. / TH.	
		(Kg/m)	(lb/ft)	(mm)	(inch)	(mm)	(inch)
P31 CO 400	340 195	3.100	2.100	400	(15.75")	0.75	(0.030")
P31 CO 500	340 196	3.900	2.600	500	(19.69")	0.75	(0.030")
P31 CO 600	340 197	4.700	3.160	600	(23.62")	0.75	(0.030")

Material	Standard
DX 51 D Z 275 MAC	EN 10 346