

Couvercle P31 CO 400 à 600 3M  
Cover tray P31 400 to 600 3M

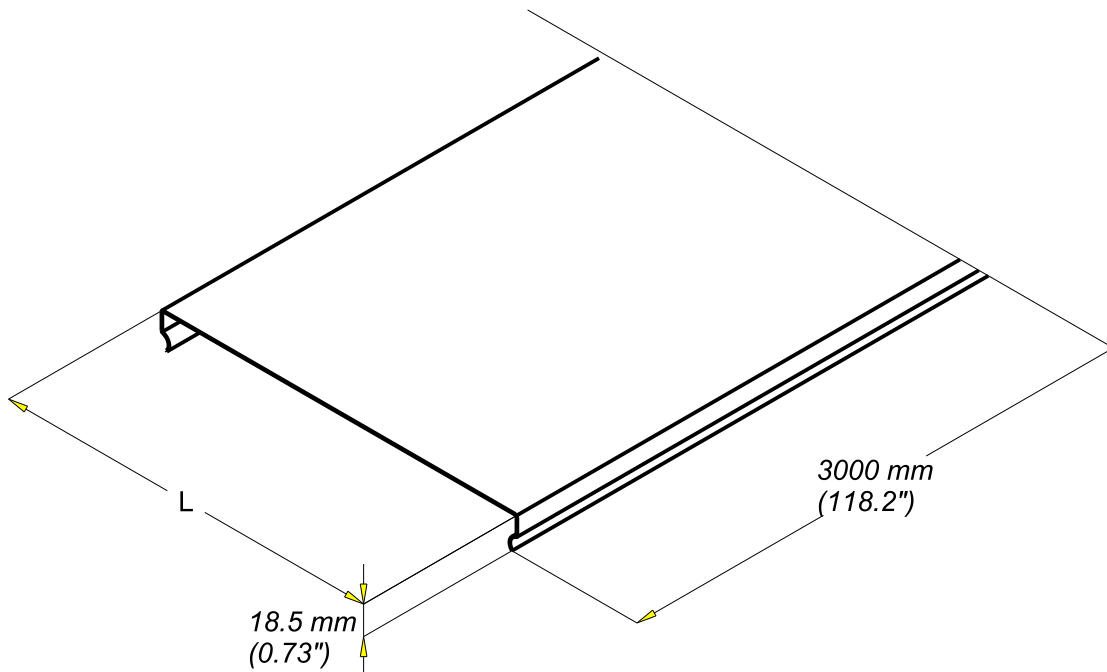
GC  
HDG

**CABLOFIL®**

INNOVATORS IN CABLE MANAGEMENT

FT0521-3

11 13



REF	CODE	POIDS / WEIGHT		L / L		EP. / TH.		NORMES / STANDARD
		(Kg/m)	(lb/ft)	(mm)	(inch)	(mm)	(inch)	
P31 CO 400	342 154	3.400	2.300	400	(15.75")	0.75	(0.030")	MATIERE / MATERIAL S 235 JR PROTECTION / COATING GC / HDG EN 10 025-2 Class 6 according to CEI 61537
P31 CO 500	342 155	4.300	2.888	500	(19.69")	0.75	(0.030")	
P31 CO 600	342 156	5.200	3.500	600	(23.62")	0.75	(0.030")	

Propriété exclusive de CABLOFIL, ne peut être ni copié, ni transmis à des tiers sans autorisation écrite.  
Exclusive property of CABLOFIL shouldn't be reproduced or transmitted to any people

without written authorization