

Couvercle P31 CO 400  
Cover for tray P31 L3m 400

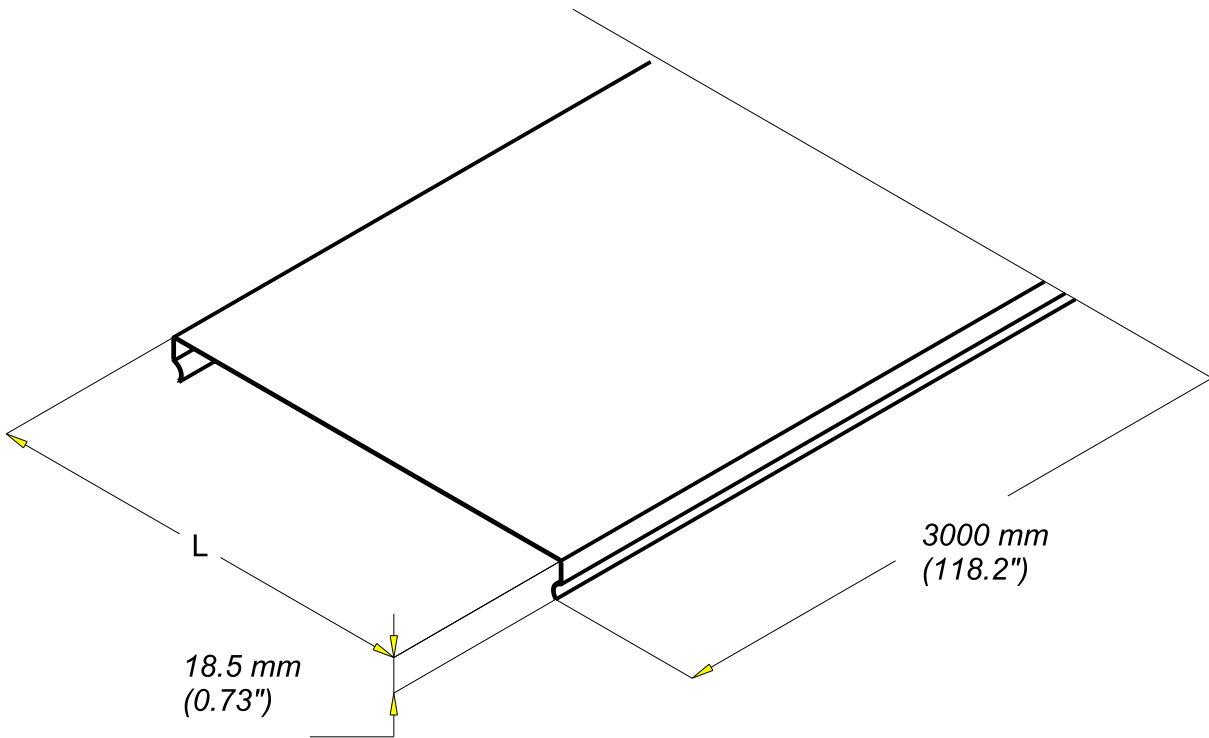
304L

**CABLOFIL**<sup>®</sup>

INNOVATORS IN CABLE MANAGEMENT

FT0521-8

11 13



REF	CODE	POIDS /WEIGHT		L / L		EP. / TH.		Material	Standard
		(Kg/m)	(lb/ft)	(mm)	(inch)	(mm)	(inch)		
P31 CO 400	346 312	2.093	1.407	400	(15.75")	0.75	(0.030")	X2 Cr Ni 18-9	EN 10 088-2