

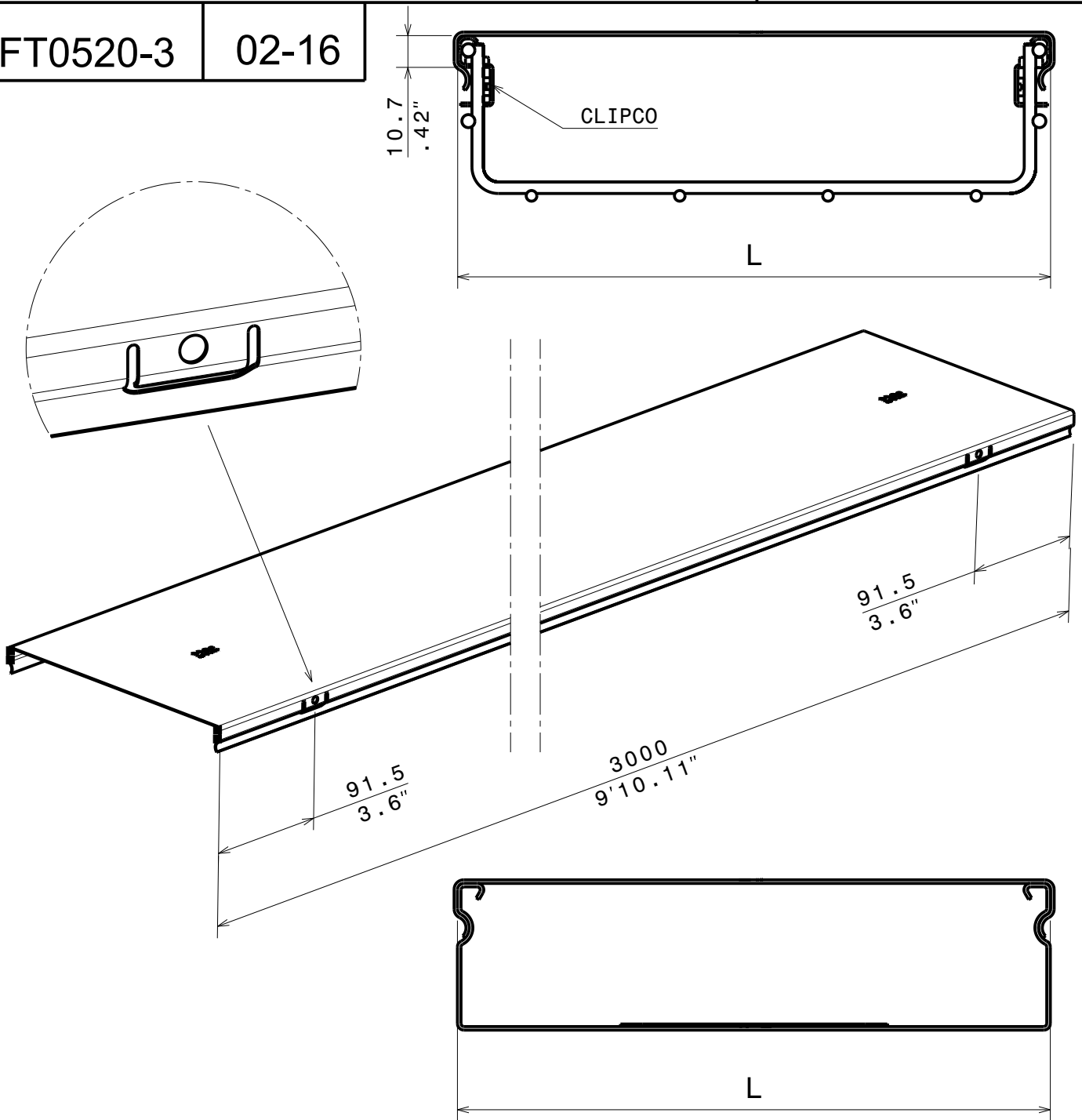
Couvercle P31 CO 50 à 300
Cover for tray P31 L3m 50 to 300

GC
HDG

legrand | CABLE
MANAGEMENT

FT0520-3

02-16



REF	CODE	POIDS / WEIGHT		L / L		EP. / TH.	
		(Kg/m)	(lb/ft)	(mm)	(inch)	(mm)	(inch)
P31 CO 50	342 169	0.400	0.267	50	(1.969")	0.5	(0.020")
P31 CO 75	342 170	0.500	0.336	75	(2.952")	0.5	(0.020")
P31 CO 100	342 171	0.600	0.404	100	(3.937")	0.5	(0.020")
P31 CO 150	342 172	0.810	0.543	150	(5.906")	0.5	(0.020")
P31 CO 200	342 152	1.010	0.680	200	(7.874")	0.5	(0.020")
P31 CO 300	342 153	1.720	1.157	300	(11.811")	0.5	(0.020")

NORMES/STANDARD	
MATIERE / MATIERAL S 235 JR	EN 10 025-2
PROTECTION / COATING GC / HDG	Class 6 according to CEI 61537