

Couvercle P31 CO 75 à 300
Cover for tray P31 L3m 75 to 300

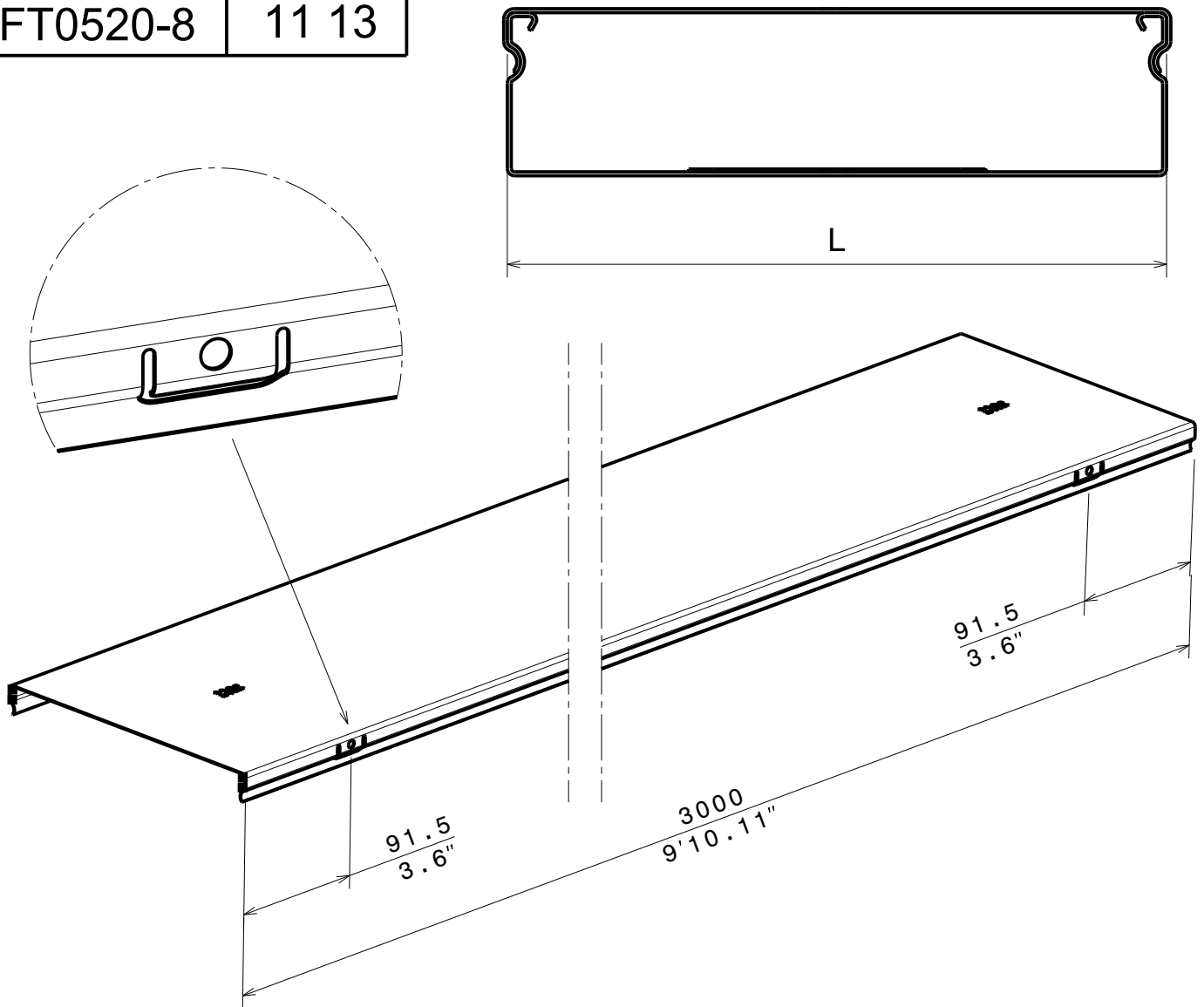
INOX 304L
SS304L

CABLOFIL®

INNOVATORS IN CABLE MANAGEMENT

FT0520-8

11 13



REF	CODE	POIDS / WEIGHT		L / L		EP. / TH.	
		(Kg/m)	(lb/ft)	(mm)	(inch)	(mm)	(inch)
P31 CO 75	346 313	0.580	0.390	75	2.952"	0.6	0.024"
P31 CO 100	346 314	0.680	0.457	100	3.937"	0.6	0.024"
P31 CO 150	346 315	0.910	0.613	150	5.906"	0.6	0.024"
P31 CO 200	346 316	1.160	0.782	200	7.874"	0.6	0.024"
P31 CO 300	346 317	1.630	1.099	300	11.811"	0.6	0.024"

Material	Standard
X2 Cr Ni 18-9	EN 10 088-2