

Couvercle P31 CO 50 à 300
Cover for tray P31 L3m 50 to 300

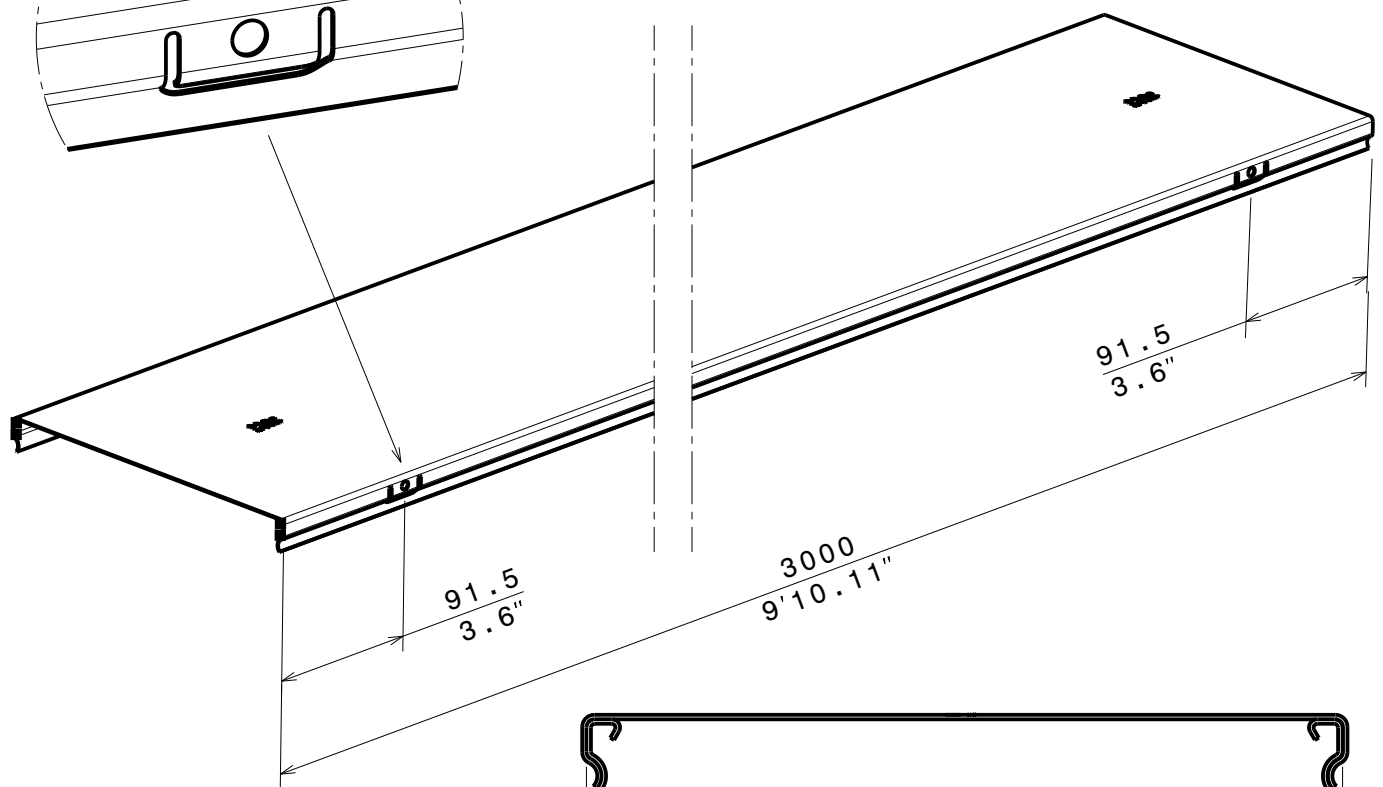
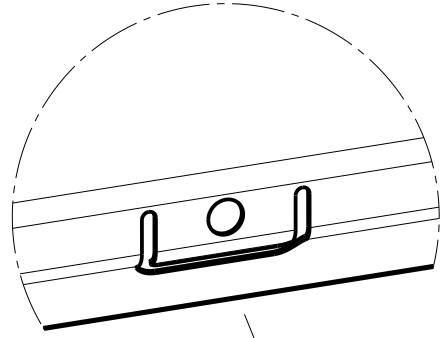
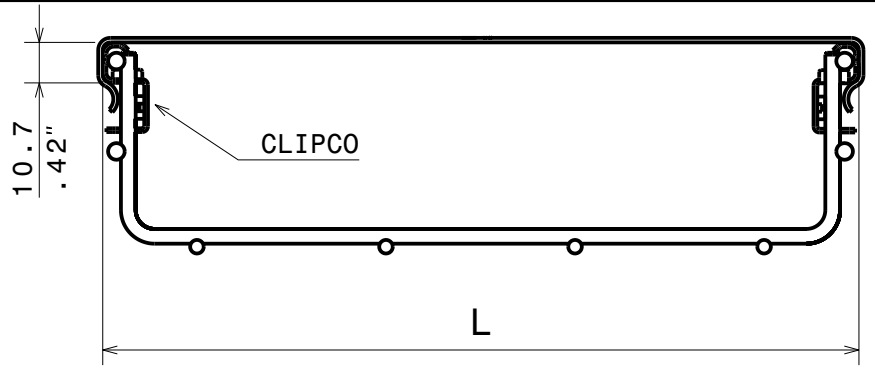
EPO
RAL

CABLOFIL®

INNOVATORS IN CABLE MANAGEMENT

FT0520-6

07 17



REF.	Code	Poids/Wt.		L		EP/TH mm/inch	Couleur/Color	NORMES/STANDARD	
		kg/m	lb/ft	mm	inch				
P31 CO 50	344 169	0.370	0.249	50	1.969"	0.5 0.020"	blue RAL 5015		
P31 CO 75	344 170	0.460	0.309	77	2.952"				
P31 CO 100	344 171	0.560	0.377	100	3.937"				
P31 CO 150	344 172	0.750	0.505	150	5.906"				
P31 CO 200	344 173	0.940	0.632	200	7.874"				
P31 CO 300	344 174	1.600	1.077	300	11.811"				
P31 CO 100	347 867	0.560	0.377	100	3.937"		blanc/white	MATIERE / MATIERAL DX 51 D Z 200 MAC	EN 10 346
P31 CO 100	347 853	0.560	0.377	100	3.937"		noir/black		
P31 CO 300	347 868	1.600	1.077	300	11.811"		blanc/white	PROTECTION / COATING 80µm +/- 20µm, both side	EN ISO 2409
P31 CO 300	347 854	1.600	1.077	300	11.811"		noir/black		